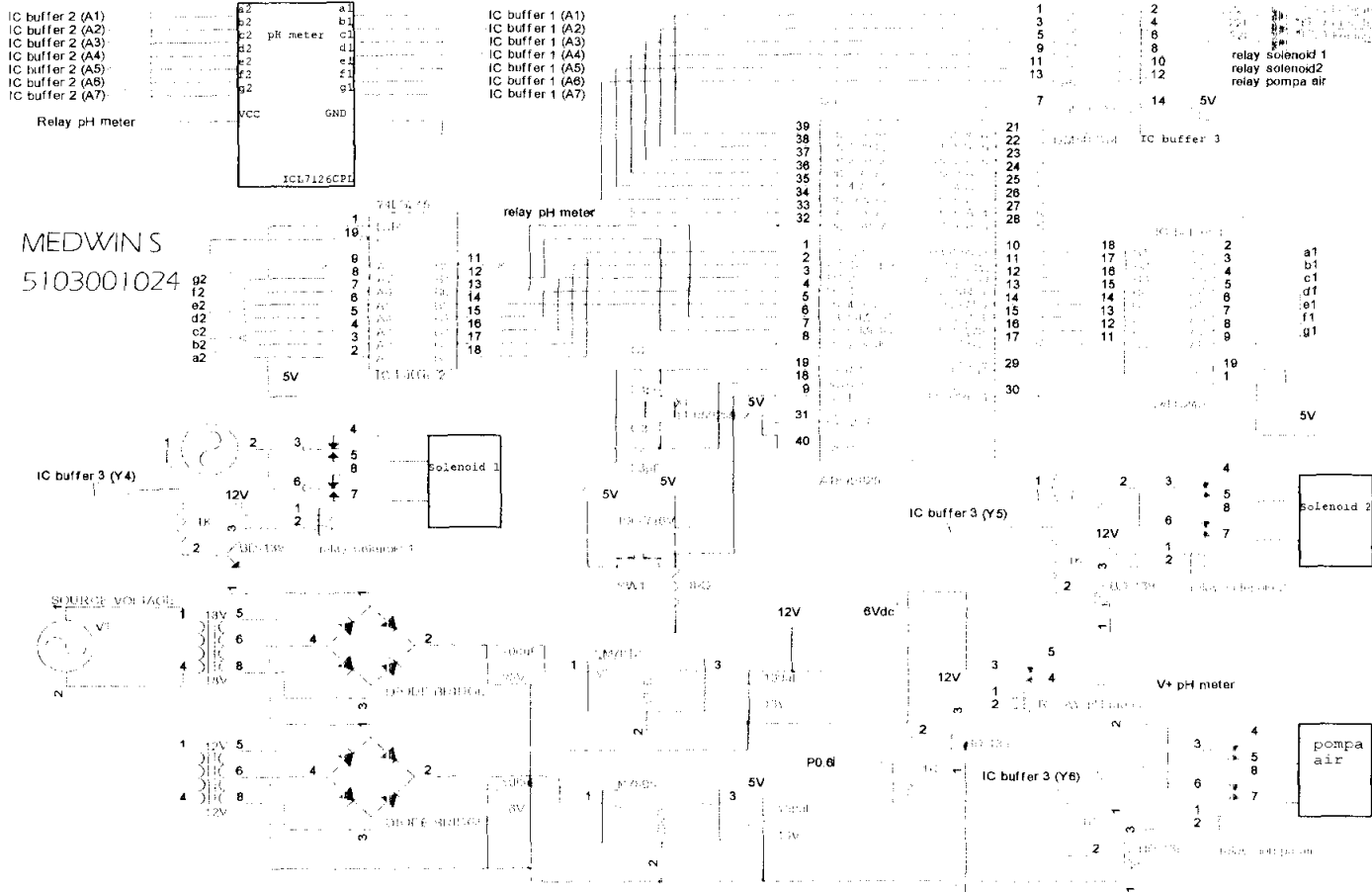


# LAMPIRAN

# GAMBAR RANGKAIAN LENGKAP



## LISTING PROGRAM

```
mov p0,#0ffh ;inisialisasi PORT 0 dengan 00h sebagai output
mov p1,#0ffh ;inisialisasi PORT 1 dengan FFh sebagai input digit pertama ;pH
meter
mov p2,#0ffh ;inisialisasi PORT 2 dengan FFh
mov p3,#0ffh ;inisialisasi PORT 3 dengan FFh sebagai input digit kedua pH ;meter
```

isi\_air:

```
setb p0.0 ;mematikan LED hijau
setb p0.1 ;mematikan LED merah
setb p0.2 ;mematikan LED kuning
clr p0.3 ;menyalakan solenoid valve 1 (pengisian air)
setb p0.4 ;mematikan solenoid valve 2
clr p0.5 ;menyalakan pompa air
clr p0.6 ;mematikan pH meter
ljmp timer10s ;menunggu 10s
```

cek\_pH:

```
setb p0.3 ;mematikan solenoid valve 1
setb p0.5 ;mematikan pompa air
setb p0.6 ;menyalakan pH meter
ljmp timer15s
```

nol:

```
mov a,p3 ;data pada PORT 1 dipindahkan ke ACCUMULATOR (a)
orl a,#80h ;data pada A di OR dengan 80h
cjne a,#0c0h,satu ;pengecekan data A (PORT 1) sama atau tidak dengan c0h
jmp error
```

satu:

```
cjne a,#0f9h,dua ;pengecekan data A (PORT 1) sama atau tidak dengan f9h
jmp error
```

dua:

```
cjne a,#0a4h,tiga ;pengecekan data A (PORT 1) sama atau tidak dengan a4h
jmp error
```

tiga:

```
cjne a,#0b0h,empat ;pengecekan data A (PORT 1) sama atau tidak dengan b0h
jmp error
```

empat:

```
cjne a,#99h,lima ;pengecekan data A (PORT 1) sama atau tidak dengan 99h
jmp error
```

lima:

```
cjne a,#92h,enam ;pengecekan data A (PORT 1) sama atau tidak dengan 92h
```

```
jmp error
```

```
enam:
```

```
cjne a,#82h,tujuh ;pengecekan data A (PORT 1) sama atau tidak dengan 82h
```

```
jmp enam_nol
```

```
enam_nol:
```

```
mov a,p1 ;data pada PORT 3 dipindahkan ke A
```

```
orl a,#80h ;data pada A di OR dengan 80h
```

```
cjne a,#81h,enam_satu ;pengecekan data A (PORT 3) sama atau tidak dengan 81h
```

```
jmp error
```

```
enam_satu:
```

```
cjne a,#0cfh,enam_dua ;pengecekan data A (PORT 3) sama atau tidak dengan 0cfh
```

```
jmp asam
```

```
enam_dua:
```

```
cjne a,#92h,enam_tiga ;pengecekan data A (PORT 3) sama atau tidak dengan 92h
```

```
jmp asam
```

```
enam_tiga:
```

```
cjne a,#86h,enam_empat ;pengecekan data A (PORT 3) sama atau tidak dengan 86h
```

```
jmp asam
```

```
enam_empat:
```

```
cjne a,#0cch,enam_lima ;pengecekan data A (PORT 3) sama atau tidak dengan 0cch
```

```
jmp asam
```

```
enam_lima:
```

```
cjne a,#0a4h,enam_enam ;pengecekan data A (PORT 3) sama atau tidak dengan 0a4h
```

```
jmp asam
```

```
enam_enam:
```

```
cjne a,#0a0h,enam_tujuh ;pengecekan data A (PORT 3) sama atau tidak dengan 0a0h
```

```
jmp normal
```

```
enam_tujuh:
```

```
cjne a,#8fh,enam_delapan ;pengecekan data A (PORT 3) sama atau tidak dengan 8fh
```

```
jmp normal
```

```
enam_delapan:
```

```
cjne a,#80h,enam_sembilan ;pengecekan data A (PORT 3) sama atau tidak dengan 80h
```

```
jmp normal
```

enam\_sembilan:

```
cjne a,#84h,enam_nol ;pengecekan data A (PORT 3) sama atau tidak dengan 84h
jmp normal
```

tujuh:

```
cjne a,#0f8h,delapan ;pengecekan data A (PORT 3) sama atau tidak dengan f8h
jmp normal
```

delapan:

```
cjne a,#80h,sembilan ;pengecekan data A (PORT 1) sama atau tidak dengan 80h
jmp delapan_nol
```

delapan\_nol:

```
mov a,p1 ;data pada PORT 3 dipindahkan ke A
orl a,#80h ;data pada A di OR dengan 80h
cjne a,#81h,delapan_satu ;pengecekan data A (PORT 3) sama atau tidak dengan 81h
jmp normal
```

delapan\_satu:

```
cjne a,#0cfh,delapan_dua ;pengecekan data A (PORT 3) sama atau tidak dengan 0cfh
jmp normal
```

delapan\_dua:

```
cjne a,#92h,delapan_tiga ;pengecekan data A (PORT 3) sama atau tidak dengan 92h
jmp normal
```

delapan\_tiga:

```
cjne a,#86h,delapan_empat;pengecekan data A (PORT 3) sama atau tidak dengan 86h
jmp normal
```

delapan\_empat:

```
cjne a,#0cch,delapan_lima ;pengecekan data A (PORT 3) sama atau tidak dengan 0cch
jmp normal
```

delapan\_lima:

```
cjne a,#0a4h,delapan_enam ;pengecekan data A (PORT 3) sama atau tidak dengan 0a4h
jmp basa
```

delapan\_enam:

```
cjne a,#0a0h,delapan_tujuh ;pengecekan data A (PORT 3) sama atau tidak dengan 0a0h
jmp basa
```

delapan\_tujuh:

```
cjne a,#8fh,delapan_delapan ;pengecekan data A (PORT 3) sama atau tidak dengan 8fh
jmp basa
```

delapan\_delapan:

```
cjne a,#80h,delapan_sembilan ;pengecekan data A (PORT 3) sama atau tidak dengan 80h
jmp  basa
```

delapan\_sembilan:

```
cjne a,#84h,delapan_nol ;pengecekan data A (PORT 3) sama atau tidak dengan 84h
jmp  basa
```

sembilan:

```
cjne a,#90h,cek_lagi ;pengecekan data A (PORT 1) sama atau tidak dengan 84h
jmp  error
```

cek\_lagi:

```
jmp  nol ;pengecekan ulang nilai pH
```

timer10s:

```
mov  r7,#204 ;10detik
acall delay10s
jmp  cek_ph
```

timer15s:

```
mov  r6,#210 ;15detik
acall delay15s
jmp  nol
```

timer30s:

```
mov  r5,#210 ; 15detik x 2
mov  r4,#210 ; = 30detik
acall delay30s1
jmp  isi_air
```

delay10s:

```
mov  tmod,#01h
mov  tl0,#65h ;membuat timer
mov  th0,#4fh ; 50ms
setb tr0
jnb  tf0,$
clr  tr0
clr  tf0
djnz r7,delay10s
ret
```

```

delay15s:
mov   tmod,#01h
mov   tl0,#0bfh   ;membuat timer
mov   th0,#01h   ;       72ms
setb  tr0
jnb   tf0,$
clr   tr0
clr   tf0
djnz  r6,delay15s
ret

```

```

delay30s1:
mov   tmod,#01h
mov   tl0,#0bfh   ;membuat timer
mov   th0,#01h   ;       72ms
setb  tr0
jnb   tf0,$
clr   tr0
clr   tf0
djnz  r5,delay30s1

```

```

delay30s2:
mov   tmod,#01h
mov   tl0,#0bfh   ;membuat timer
mov   th0,#01h   ;       72ms
setb  tr0
jnb   tf0,$
clr   tr0
clr   tf0
djnz  r4,delay30s2
ret

```

```

error: ;menunjukkan 6 < pH dan pH > 8
clr   p0.6   ;mematikan pH meter
clr   p0.0   ;menyalakan LED hijau
clr   p0.1   ;menyalakan LED merah
clr   p0.2   ;menyalakan LED kuning
setb  p0.3   ;mematikan solenoid 1
setb  p0.4   ;mematikan solenoid 2
setb  p0.5   ;mematikan pompa air
acall timer30s ;menunggu selama 30s

```

```
normal:      ;menunjukkan 6.5 < pH < 8.5
clr  p0.6    ;mematikan pH meter
clr  p0.0    ;menyalakan LED hijau (normal)
setb p0.1    ;mematikan LED merah (asam)
setb p0.2    ;mematikan LED kuning (basa)
clr  p0.3    ;menyalakan solenoid valve 1 (normal)
setb p0.4    ;mematikan solenoid valve 2 (tdk normal)
clr  p0.5    ;menyalakan pompa air
acall timer30s      ;menunggu selama 30s
```

```
asam:      ;menunjukkan 6.1 <= pH <= 6.5
clr  p0.6    ;mematikan pH meter
setb p0.0    ;mematikan LED hijau (normal)
clr  p0.1    ;menyalakan LED merah (asam)
setb p0.2    ;mematikan LED kuning (basa)
setb p0.3    ;mematikan solenoid valve 1 (normal)
clr  p0.4    ;menyalakan solenoid valve 2 (tdk normal)
clr  p0.5    ;menyalakan pompa air
acall timer30s      ;menunggu selama 30s
```

```
basa:      ;menunjukkan 8.5 <= pH <= 8.9
clr  p0.6    ;mematikan pH meter
setb p0.0    ;mematikan LED hijau (normal)
setb p0.1    ;mematikan LED merah (asam)
clr  p0.2    ;menyalakan LED kuning (basa)
setb p0.3    ;mematikan solenoid valve 1 (normal)
clr  p0.4    ;menyalakan solenoid valve 2 (tdk normal)
clr  p0.5    ;menyalakan pompa air
acall timer30s      ;menunggu selama 30s
```

```
end
```



# MANUAL pH METER HANNA INSTRUMENT HI 98107

**pHep**® is a rugged pH tester with replaceable electrode and renewable reference junction. The instrument can be calibrated at two points by the user, simply acting on the offset and slope calibration trimmers.



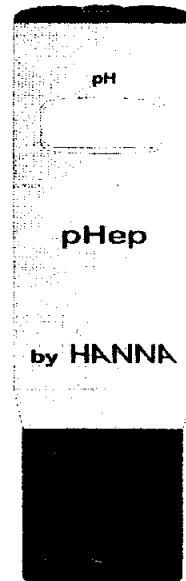
**pHep**® is in compliance with the CE directives

## SPECIFICATIONS

Range	0.0 to 14.0 pH
Resolution	0.1 pH
Accuracy (at 20°C/68°F)	±0.1 pH
Typical EMC Deviation	±0.1 pH
Calibration	Manual, 2 point, through offset and slope trimmers.
Environment	0 to 50°C (32 to 122°F); RH max 95%
Battery Type	4 x 1.5V alkaline
Battery Life	approx. 700 hours of use
Dimensions	175 x 41 x 23 mm (6.9 x 1.6 x 0.9")
Weight	95 g (3.4 oz.)

## ACCESSORIES

HI 73106	Spare electrode
HI 7004M	pH 4.01 solution, 230 ml bottle
HI 7007M	pH 7.01 solution, 230 ml bottle
HI 7010M	pH 10.01 solution, 230 ml
HI 70300M	Storage solution, 230 mL bottle
HI 7061M	Cleaning solution, 230 ml bottle
HI 731326	Calibration screwdriver (20 pcs)



**pHep** is a registered trademark of Hanna Instruments

**HANNA**  
instruments

www.hannainst.com

### CONDITIONING

- Remove the cap.
- To activate the electrodes, immerse in **HI7000** storage solution for 2 hours.

### CALIBRATION

- Immerse the electrode in pH 7.01 (HI7007) buffer solution.
- Allow the reading to stabilize and with the supplied screwdriver, adjust the "pH7" calibration potentiometer to read 7.01 pH.
- Rinse the electrode with tap water and immerse it into the second buffer.
- Use pH 4.01 (HI7004) if the solution to be measured is acidic (pH < 7), or pH 10.0 (HI7010) for alkaline samples (pH > 7).
- Allow the reading to stabilize and with the screwdriver adjust the "pH4/10" calibration potentiometer to read 4.01 or 10.01 pH.



### OPERATION

- Remove the protective cap, turn the pH/Off on, by sliding the ON/OFF switch on the top of the meter.
- Immerse it in the solution to be tested without exceeding the maximum immersion level.
- Stir gently and wait for the reading to stabilize.
- After use, switch the meter off, rinse the electrode with tap water and store it with a few drops of storage (HI70300) or pH7 (HI7007) solution in the protective cap. Always replace the protective cap after use.

**NEVER USE DISTILLED OR DEIONIZED WATER FOR STORAGE PURPOSES.**

- Large differences in pH readings (up to 10) could be due to lack of calibration or dirty electrode.

### MAINTENANCE

The sensor should be kept moist at all times. For this purpose, always keep wet the tissue inside the protective cap. In case of erroneous readings even after an accurate conditioning and calibration, the reference junction might be contaminated or clogged.

Pull out 2 mm (1/8") of the O-ring junction to renew the electrode reference. It is recommended to cut the O-ring always at least 2 mm (1/8") over the reference compartment) and recalibrate the meter.

The O-ring junction can be pulled out approximately 2 times. After that, the electrode should be replaced.

### ELECTRODE REPLACEMENT

For repairing the electrode, contact your dealer or the nearest Florida Service Center.

### BATTERY REPLACEMENT

If calibration can not be performed or the display fades, batteries must be replaced. Slide off the battery compartment cover and replace all four 1.5V alkaline batteries, paying attention to the correct polarity.



Batteries should only be replaced in a non-hazardous area and using the battery type specified in this instruction manual.

### WARRANTY

This meter is guaranteed for one year against defects in workmanship and materials when used for its intended purpose to the normal operating instructions. This warranty is limited to repair or replacement free of charge. Damages due to accident, misuse, tampering or lack of particular maintenance is not covered. If service is required, contact the dealer from whom you purchased the instrument. If under warranty, report the model number, date of purchase, serial number and the nature of the failure. If the repair is not covered by the warranty, you will be notified of the charges incurred. If the instrument is to be returned to Terra Instruments, first obtain a Return Goods Authorization Number from the Customer Service department and then send it with shipping costs prepaid. When shipping the instrument, make sure it is properly packaged for complete protection.

# MAXIM

## Low Power, 3½ Digit A/D Converter

ICL7126

### General Description

The Maxim ICL7126 is a monolithic analog to digital converter with very high input impedance. On-board active components include segment drivers, segment decoders, voltage reference and a clock circuit. The ICL7126 directly drives a non-multiplexed liquid crystal (LCD) display, requiring no external display drive circuitry. Significantly reduced power consumption makes the ICL7126 a superior device, especially for portable systems.

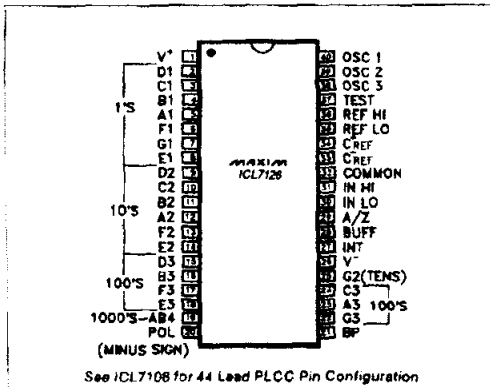
Versatility and accuracy are inherent features of this converter. The dual-slope conversion technique automatically rejects interference signals common in industrial environments. The true differential input and reference are particularly useful when making ratio-metric measurements (ohms or bridge transducers), and the zero-integrator phase in Maxim's ICL7126 eliminates overrange hangover and hysteresis effects. The Zero Integrator phase also allows the use of larger auto zero capacitors reducing noise further. Finally, this device offers high accuracy by lowering rollover error to less than one count and zero reading drift to less than  $1\mu\text{V}/^\circ\text{C}$ .

### Applications

These devices can be used in a wide range of digital panel meter applications. Most applications, however, involve the measurement and display of analog data:

Pressure	Conductance
Voltage	Current
Resistance	Speed
Temperature	Material Thickness

### Pin Configuration



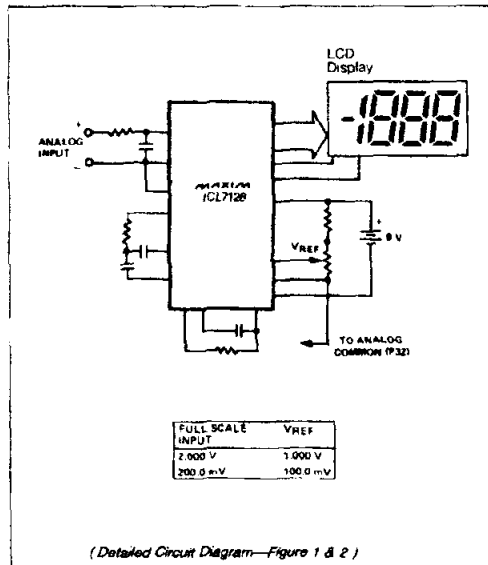
### Features

- ◆ Improved 2nd Source! (See 3rd page for "Maxim Advantage™").
- ◆ Power dissipation guaranteed less than 1mW-9V battery life 3000 hours typical
- ◆ Guaranteed first reading recovery from overrange
- ◆ Zero Input Gives Zero Reading
- ◆ Drives LCD Displays Directly
- ◆ Low Noise ( $15\mu\text{V}$  p-p) without hysteresis or overrange hangover
- ◆ True Differential Reference and Input
- ◆ Monolithic, Low Power CMOS

### Ordering Information

PART	TEMP. RANGE	PACKAGE
ICL7126CPL	0° C to +70° C	40 Lead Plastic DIP
ICL7126CJL	0° C to +70° C	40 Lead CERDIP
ICL7126CQH	0° C to +70° C	44 Lead Plastic Chip Carrier
ICL7126C/D	0° C to +70° C	Dice

### Typical Operating Circuit



The "Maxim Advantage™" signifies an upgraded quality level. At no additional cost we offer a second-source device that is subject to the following: guaranteed performance over temperature along with tighter test specifications on many key parameters; and device enhancements, when needed, that result in improved performance without changing the functionality.

# Low Power, 3½ Digit A/D Converter

## ABSOLUTE MAXIMUM RATINGS

Supply Voltage (V <sup>+</sup> to V <sup>-</sup> )	15V
Analog Input Voltage (either input)(Note 1)	V <sup>+</sup> to V <sup>-</sup>
Reference Input Voltage (either input)	V <sup>+</sup> to V <sup>-</sup>
Clock Input	TEST to V <sup>+</sup>

Power Dissipation (Note 2)	
Cerdip Package	1000mW
Plastic Package	800mW
Operating Temperature Range	0°C to +70°C
Storage Temperature Range	-85°C to +160°C
Lead Temperature (Soldering, 60 sec.)	+300°C

Note 1: Input voltages may exceed the supply voltages, provided the input current is limited to  $\pm 100\mu\text{A}$ .

Note 2: Dissipation rating assumes device is mounted with all leads soldered to printed circuit board.

Stresses above those listed under "Absolute Maximum Ratings" may cause permanent damage to the device. These are stress ratings only and functional operation of the device at these or any other conditions above those indicated in the operational sections of the specifications is not implied. Exposure to absolute maximum rating conditions for extended periods may affect device reliability.

## ELECTRICAL CHARACTERISTICS (Note 3, 7)

PARAMETER	CONDITIONS	MIN	TYP	MAX	UNITS
Zero Input Reading	V <sub>IN</sub> = 0.0V Full-Scale = 200.0mV	-000.0	$\pm 000.0$	+000.0	Digital Reading
Ratiometric Reading	V <sub>IN</sub> = V <sub>REF</sub> , V <sub>REF</sub> = 100mV	999	999/1000	1000	Digital Reading
Roll-Over Error (Difference in reading for equal positive and negative reading near full-scale)	-V <sub>IN</sub> = +V <sub>IN</sub> = 200.0mV	-1	$\pm 0.2$	+1	Counts
Linearity (Max. deviation from best straight line fit)	Full-Scale = 200mV or Full-Scale = 2.000V	-1	$\pm 0.02$	+1	Counts
Common-Mode Rejection Ratio (Note 4)	V <sub>CM</sub> = $\pm 1\text{V}$ , V <sub>IN</sub> = 0V Full-Scale = 200.0mV		50		$\mu\text{V/V}$
Noise (Pk-Pk value not exceeded 95% of time)	V <sub>IN</sub> = 0V, Full-Scale = 200.0mV		15		$\mu\text{V}$
Leakage Current @ Input	V <sub>IN</sub> = 0V		1	10	pA
Zero Reading Drift	V <sub>IN</sub> = 0V, 0°C < T <sub>A</sub> < +70°C		0.2	1	$\mu\text{V/}^\circ\text{C}$
Scale Factor Temperature Coefficient	V <sub>IN</sub> = 199.0mV, 0°C < T <sub>A</sub> < +70°C (Ext. Ref. 0ppm/°C)		1	5	ppm/°C
Supply Current (Does not include COMMON current)	V <sub>IN</sub> = 0V (Note 6)		50	100	$\mu\text{A}$
Analog COMMON Voltage (With respect to positive supply)	250k $\Omega$ between Common and Positive Supply	2.4	2.8	3.2	V
Temp. Coeff. of Analog COMMON (With respect to positive supply)	250k $\Omega$ between Common and Positive Supply		80		ppm/°C
Pk-Pk Segment Drive Voltage (Note 5)	V <sup>+</sup> to V <sup>-</sup> = 9V	4	5	6	V
Pk-Pk Backplane Drive Voltage (Note 5)	V <sup>+</sup> to V <sup>-</sup> = 8V	4	5	6	V
Power Dissipation Capacitance	vs Clock Frequency		40		pF

Note 3: Unless otherwise noted, specifications apply at T<sub>A</sub> = 25°C, f<sub>CLOCK</sub> = 16kHz and are listed in the circuit of Figure 1.

Note 4: Refer to "Differential Input" discussion.

Note 5: Backplane drive is in phase with segment drive for "off" segment, 180° out of phase for "on" segment. Frequency is 20 times conversion rate. Average DC component is less than 50mV.

Note 6: 48kHz oscillator, Figure 2, increases current by 20 $\mu\text{A}$  (typ).

Note 7: Extra capacitance of CERDIP package changes oscillator resistor value to 470k $\Omega$  or 150k $\Omega$  (1 reading/sec or 3 readings/sec).

The electrical characteristics above are a reproduction of a portion of Intersil's copyrighted (1983/1984) data book. This information does not constitute any representation by Maxim that Intersil's products will perform in accordance with these specifications. The "Electrical Characteristics Table" along with the descriptive excerpts from the original manufacturer's data sheet have been included in this data sheet solely for comparative purposes.



## Low Power, 3½ Digit A/D Converter

ICL7126

- ◆ Low Noise
- ◆ Key Parameters Guaranteed over Temperature
- ◆ Guaranteed Overload Recovery Time
- ◆ Significantly Improved ESD Protection (Note 9)
- ◆ Negligible Hysteresis
- ◆ Increased Maximum Rating for Input Current (Note 10)
- ◆ Maxim Quality and Reliability

**ABSOLUTE MAXIMUM RATINGS:** This device conforms to the Absolute Maximum Ratings on adjacent page.

**ELECTRICAL CHARACTERISTICS:** Specifications below satisfy or exceed all "tested" parameters on adjacent page.

(V<sup>+</sup> = 9V; T<sub>A</sub> = 25°C; f<sub>CLOCK</sub> = 16kHz; test circuit - Figure 1; unless noted)

CHARACTERISTICS	CONDITIONS	MIN	TYP	MAX	UNITS
Zero Input Reading	V <sub>IN</sub> = 0.0V, Full Scale = 200.0mV T <sub>A</sub> = 25°C (Note 8) 0° ≤ T <sub>A</sub> ≤ +70°C (Note 12)	000.0 -000.0	±000.0 ±000.0	+000.0 +000.0	Digital Reading
Ratiometric Reading	V <sub>IN</sub> = V <sub>REF</sub> , V <sub>REF</sub> = 100mV T <sub>A</sub> = 25°C (Note 8) 0° ≤ T <sub>A</sub> ≤ +70°C (Note 12)	999 998	999/1000 999/1000	1000 1001	Digital Reading
Rollover Error (Difference in reading for equal positive and negative reading near Full Scale)	-V <sub>IN</sub> = -V <sub>IN</sub> 200.0mV T <sub>A</sub> = 25°C (Note 8) 0° ≤ T <sub>A</sub> ≤ +70°C (Note 12)	1	±.2 ±.2	+1	Counts
Linearity (Max. deviation from best straight line fit)	Full Scale = 200.0mV or full scale = 2.000V	-1	±.2	+1	Counts
Common Mode Rejection Ratio	V <sub>CM</sub> = ±1V, V <sub>IN</sub> = 0V Full Scale = 200.0mV		5		μV/V
Noise (Pk-Pk value not exceeded 95% of time)	V <sub>IN</sub> = 0V Full Scale = 200.0mV		10		μV
Input Leakage Current	V <sub>IN</sub> = 0 T <sub>A</sub> = 25°C (Note 8) 0° ≤ T <sub>A</sub> ≤ +70°C		1	10 200	μA
Zero Reading Drift	V <sub>IN</sub> = 0 0° ≤ T <sub>A</sub> ≤ +70°C (Note 8)		0.2	1	μV/°C
Scale Factor Temperature Coefficient	V <sub>IN</sub> = 199.0mV 0° ≤ T <sub>A</sub> ≤ +70°C (Ext. Ref. 0ppm/°C) (Note 8)		1	5	ppm/°C
V <sup>+</sup> Supply Current	V <sub>IN</sub> = 0 T <sub>A</sub> = 25°C 0° ≤ T <sub>A</sub> ≤ +70°C		60	100 120	μA
Analog Common Voltage (with respect to Pos. Supply)	250kΩ between Common & Pos. Supply	2.6	2.8	3.2	V
Temp. Coeff. of Analog Common (with respect to Pos. Supply)	250kΩ between Common & Pos. Supply		75		ppm/°C
Pk-Pk Segment Drive Voltage Pk-Pk Backplane Drive Voltage	V <sup>+</sup> to V <sup>-</sup> = 9V	4	5	6	V
Test Pin Voltage (Note 11)	With respect to V <sup>+</sup>	4	5	6	V
Overload Recovery Time (Note 11)	V <sub>IN</sub> changing from ±10V to 0V		0	1	Measurement Cycles

Note 8: Test condition is V<sub>IN</sub> applied between pins IN-HI and IN-LO through a 1MΩ series resistor as shown in Figure 1.

Note 9: All pins are designed to withstand electrostatic discharge (ESD) levels in excess of 2000V. (Test circuit per Mil Std 883, Method 3015.1.)

Note 10: Input voltages may exceed the supply voltage provided the input current is limited to +1mA (This revises Note 1 on adjacent page).

Note 11: Number of measurement cycles for display to give accurate reading.

Note 12: 1MΩ resistor is removed from circuits in Figure 1.

# Low Power, 3½ Digit A/D Converter

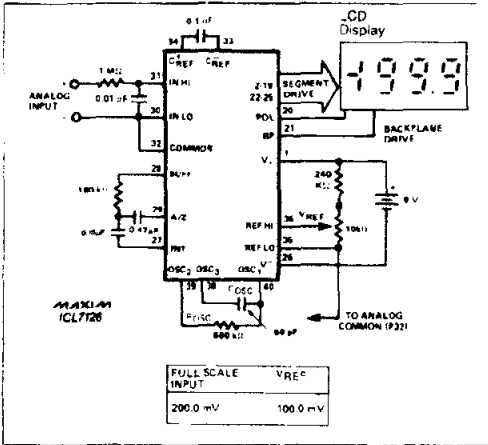


Figure 1. Maxim ICL7126 Typical Operating Circuit  
Clock Frequency 15kHz (1 reading/sec)

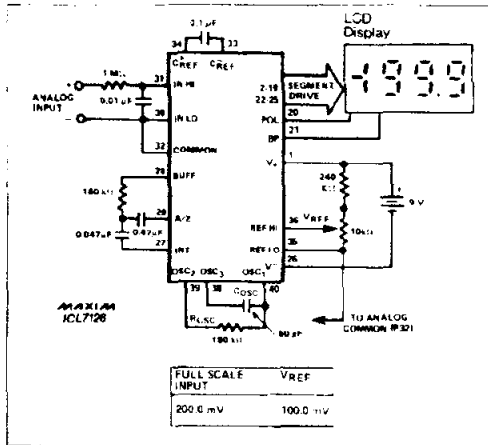


Figure 2. Maxim ICL7126 Typical Operating Circuit  
Clock Frequency 48kHz (3 readings/sec)

## Analog Section

Figure 3 shows the Block Diagram of the Analog Section for the ICL7126. Each measurement cycle is divided into four phases:

1. Auto-Zero (A-Z)
2. Signal Integrate (INT)
3. Reference De-Integrate (DI)
4. Zero Integrator (ZI)

### Auto-Zero Phase

Three events occur during auto-zero. The inputs, IN-HI and IN-LO, are disconnected from the pins and internally shorted to analog common. The reference capacitor is charged to the reference voltage. And lastly, a feedback loop is closed around the system to charge the auto-zero capacitor CAZ to compensate for offset voltages in the comparator, buffer amplifier and integrator. The inherent noise of the system determines the A-Z accuracy.

### Signal Integrate Phase

The internal input high (IN-HI) and input low (IN-LO) are connected to the external pins, the internal short is removed and the auto-zero loop is opened. The converter then integrates the differential voltage between IN-HI and IN-LO for a fixed time. This differential voltage can be within a wide common-mode range (within one volt of either supply). If, however, the input signal has no return with respect to the converter power supply, IN-LO can be tied to analog common to establish the correct common-mode voltage. The polarity of the integrated signal is determined at the end of this phase.

## Reference De-Integrate

IN-HI is connected across the previously charged reference capacitor and IN-LO is internally connected to analog common. Circuitry within the chip ensures that the capacitor will be connected with the correct polarity to cause the integrator output to return to zero. The input signal determines the time required for the output to return to zero. The digital reading displayed is:

$$1000 \times \frac{V_{IN}}{V_{REF}}$$

## Zero Integrator Phase

Input low is shorted to analog COMMON and the reference capacitor is charged to the reference voltage. A feedback loop is closed around the system to input high, causing the integrator output to return to zero. This phase normally lasts between 11 and 140 clock pulses but is extended to 740 clock pulses after a "heavy" over range conversion.

## Differential Reference

The reference voltage can be generated anywhere within the power supply voltage of the converter. The main source of common-mode error is a roll-over voltage. This is caused by the reference capacitor losing or gaining charge to stray capacitance on its nodes. The reference capacitor can gain charge (increase voltage) if there is a large common-mode voltage. This is the result of a positive signal de-integration. In contrast, the reference capacitor will lose charge (decrease voltage) when de-integrating a negative input signal. Rollover error is caused by this difference in reference for positive or negative input voltages. This error can be held to less than half a count for the worst-case condition by selecting a reference capacitor that is large enough in comparison to the stray capacitance. (See component value selection.)

# Low Power, 3½ Digit A/D Converter

ICL7126

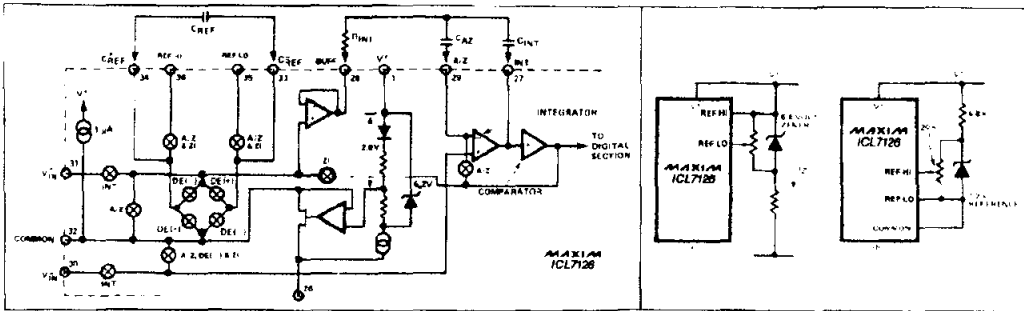


Figure 3. Analog Section ICL7126

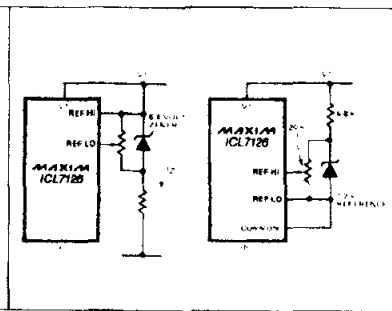


Figure 4. Using an External Reference

### Differential Input

Differential voltages anywhere within the common-mode range of the input amplifier can be accepted by the input (specifically from 1V below the positive supply to 1.5V above the negative supply). The system has a CMRR of 86dB (typ) in this range. Care must be exercised, however, to ensure that the integrator output does not saturate, since the integrator follows the common-mode voltage. A large positive common-mode voltage with a near full-scale negative differential input voltage is a worst-case condition. When most of the integrator output swing has been used up by the positive common-mode voltage, the negative input signal drives the integrator more positive. The integrator swing can be reduced to less than the recommended 2V full-scale swing with no loss of accuracy in these critical applications. The integrator output can swing within 0.3V of either supply without loss of linearity.

### Analog Common

The primary purpose of this pin is to set the common-mode voltage for battery operation. This is useful for any system where the input signals are floating with respect to the power supply. A voltage of approximately 2.8V less than the positive supply is set by this pin. The Analog Common has some of the attributes of a reference voltage. If the total supply voltage is large enough to cause the zener to regulate (>7V), the common voltage will have a low output impedance (approximately 15Ω), a temperature coefficient of typically 80 ppm/°C and a low voltage coefficient (.001%).

During auto-zero and reference integrate the internal input low is connected to Analog Common. If IN-LO is different from Analog-Common, a common-mode voltage exists in the system and is taken care of by the excellent CMRR of the converter. In some applications, however, IN-LO will be set at a fixed known voltage (e.g., power supply common). Whenever possible Analog Common should be tied to the same point, thus removing the common-mode voltage from the converter. The same holds true for the reference voltage. If convenient, the reference should be referenced to analog common as shown in Figure 4B. This will remove the common-mode voltage from the reference system.

Analog common is internally tied to an N-channel FET that can sink 500 μA or more of current. This will hold the analog common voltage 2.8V below the positive supply (when a source is trying to pull the common line positive). There is only 1 μA of source current, however, so common may easily be tied to a more negative voltage, thus over-riding the internal reference.

### Test

Two functions are performed by the test pin. The first is using this pin as the negative supply on the 7126. This is useful for externally generated segment drivers or any other annunciators the user may want to include on the LCD. This pin is coupled to the internally generated digital supply through a 500Ω resistor. This application is illustrated in Figures 5 & 6.

A lamp test is the second function. All segments will be turned on and the display should read -1888, when TEST is pulled high (V+).

**Caution:** In the lamp test mode, the segments have a constant dc voltage (no square wave). This can burn the LCD (display) if left in this mode for several minutes.

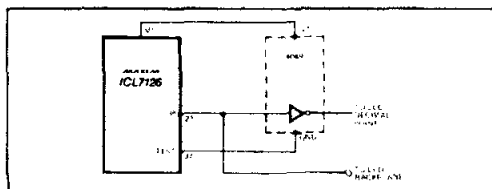


Figure 5. Simple Inverter for Fixed Decimal Point

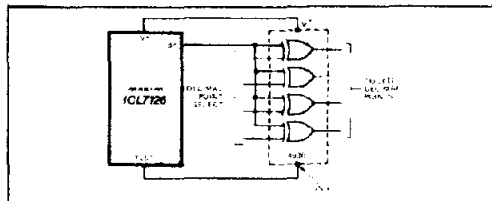


Figure 6. Exclusive "OR" Gate for Decimal Point Drive

# Low Power, 3½ Digit A/D Converter

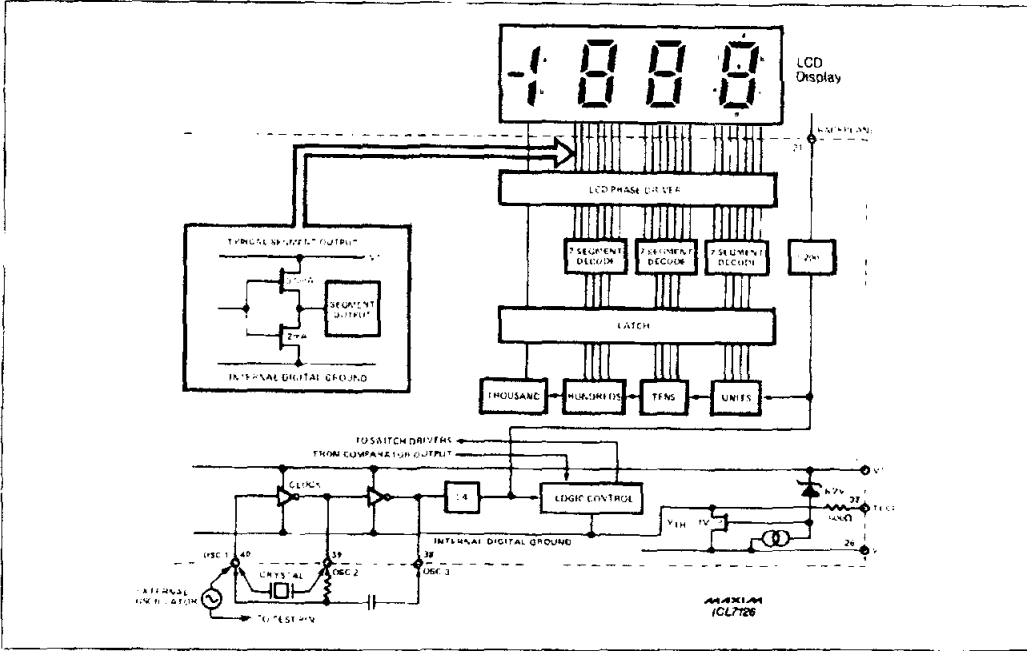


Figure 7. ICL7126 Digital Section

## Digital Section

The digital section for the ICL7126 is illustrated in Figure 7. In Figure 7, an internal digital ground is generated from a 6V zener diode and a large P channel source follower. This supply is made stiff in effort to absorb the large capacitive currents when the back plane (BP) voltage is switched. The BP frequency is calculated by dividing the clock frequency by 800. For example, with a clock frequency of 48kHz (3 readings per second), the backplane will be a 60Hz square wave with a nominal amplitude of 5V. The segments are driven at the same frequency and amplitude. Note that these are out-of-phase when the BP is On and in-phase when OFF. Negligible dc voltage exists across the segments in either case.

The polarity indication is "on" for negative analog inputs, for the ICL7126. If desired IN-HI and IN-LO can be reversed giving a "on" for positive analog inputs.

## System Timing

The clocking circuitry for the ICL7126 is illustrated in Figure 7. Three approaches can be used:

1. A crystal between pins 39 and 40.
2. An external oscillator connected to pin 40.
3. An RC oscillator using all three pins.

The decade counters are driven by the clock frequency which is divided by four. This frequency is then further divided to form the four convert-cycle phases, namely: signal integrate (1000 counts), reference de-integrate (0 to 2000 counts), auto-zero (260 to 2989 counts) and zero integrator (11 to 740).

The signal integration should be a multiple of 60Hz to achieve a maximum rejection of 60Hz pickup. Oscillator frequencies of 331/3kHz, 40kHz, 48kHz, 60kHz, 80kHz, 120kHz, 240kHz, etc., should be selected. Similarly, for 50Hz rejection, oscillator frequencies of 200kHz, 100kHz, 662/3kHz, 50kHz, 40kHz, etc., are appropriate. Note that 40kHz (2.5 readings/second) will reject both 50 and 60Hz (also 400 and 440Hz).

Auto-zero receives the unused portion of reference deintegrate for signals less than full-scale. A complete measurement cycle is 4,000 counts (16,000 clock pulses), independent of input voltage. As an example, an oscillator frequency of 16kHz would be used to obtain one reading per second.



# Low Power, 3½ Digit A/D Converter

ICL7126

## Component Value Selection

### Auto-Zero Capacitor

The noise of the system is influenced by the auto-zero capacitor. For a 2V scale, a 0.1 $\mu$ F capacitor is adequate. While the Maxim ICL7126 will operate with a 0.33 $\mu$ F capacitor, a 0.47 $\mu$ F capacitor is recommended for the 200mV full scale where noise rejection is very important. Due to the ZI phase, noise can be reduced by using a larger auto-zero capacitor without causing hysteresis or overrange hangover problems.

### Reference Capacitor

For most applications, a 0.1 $\mu$ F capacitor is acceptable. However, a large value is needed to prevent roll over error where a large common-mode voltage exists (i.e., the REF-LO pin is not at analog common) and a 200mV scale is used. Generally, the roll over error will be held to half a count by using a 1.0 $\mu$ F capacitor.

### Integrating Capacitor

To ensure that the integrator will not saturate (approximately 0.3V from either supply), an appropriate integrating capacitor must be selected. A nominal  $\pm 2$ V full-scale integrator swing is acceptable when the analog common is used as a reference. The nominal value for C<sub>INT</sub> is 0.15 $\mu$ F at one reading per second. (16kHz clock). This value should be changed in inverse proportion to maintain the same output swing if a different oscillator frequency is used.

The integrating capacitor must have low dielectric absorption to minimize linearity errors. Polypropylene capacitors are recommended for this application.

### Integrating Resistor

The integrator and the buffer amplifier both have a class A output stage with 6 $\mu$ A of quiescent current and can supply 1 $\mu$ A of drive current with negligible non-linearity. The integrating resistor should be large

enough to keep the amplifiers in the linear region over the entire input voltage range. The resistor value, however, should be low enough that undue leakage requirements are not placed on the PC boards. For a 200mV scale, a 180k $\Omega$  resistor is recommended; (2V scale/1.8MEG $\Omega$ ).

### Reference Voltage

An analog input voltage of V<sub>IN</sub> equal to 2 (V<sub>REF</sub>) is required to generate full scale output of 2000 counts. Thus, for 2V and 200mV scales, V<sub>REF</sub> should equal 1V and 100mV respectively. However, there will exist a scale factor other than the unity between the input voltage and the digital reading in many applications where the A/D is connected to a transducer.

As an example, the designer may like to have a full scale reading in a weighing system when the voltage from the transducer is 0.682V. The designer should use the input voltage directly and select V<sub>REF</sub> at 0.341V instead of dividing the input down to 200mV. A suitable value of the integrating resistor would be 330k $\Omega$ . This provides for a slightly quieter system and avoids a divider network on the input. Another advantage of this system occurs when the digital reading of zero is desired for V<sub>IN</sub>  $\neq$  zero. Examples are temperature and weighing systems with variable tare. By connecting the voltage transducer between V<sub>IN</sub> positive and common, and the variable (or fixed) offset voltage between common and V<sub>IN</sub> negative, the offset rating can be conveniently generated.

### Oscillator Components

A 50pF capacitor is recommended for all ranges of frequency and the resistor is selected from the equation  $f = 0.45/RC$ . For 48kHz clock (3 readings/second), R = 180k $\Omega$ , for 16kHz, R = 560k $\Omega$ .

## Typical Applications

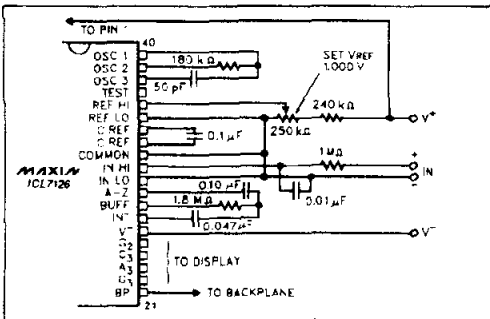


Figure 8. Recommended Component Values for 2.000V Full-Scale, 3 Readings/Sec. For 1 reading/sec, change C<sub>INT</sub>, R<sub>OSC</sub> to values of Figure 1.

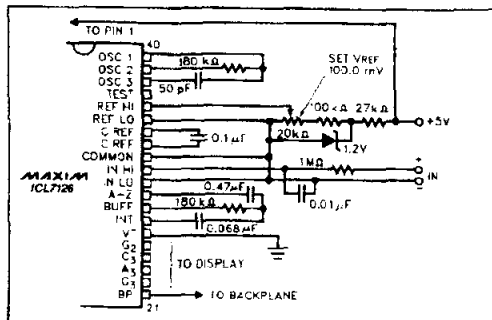


Figure 9. 7126 Operated from Single -5V Supply. An external reference must be used in this application, since the voltage between V<sup>+</sup> and V<sup>-</sup> is insufficient for correct operation of the internal reference.

# Low Power, 3½ Digit A/D Converter

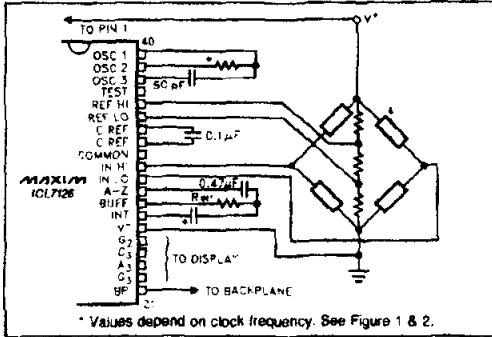


Figure 10. 7126 Measuring Potentiometric Values of Quad Load Cell. The resistor values within the bridge are determined by the desired sensitivity.

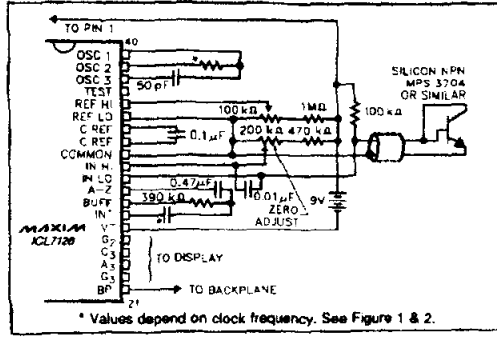
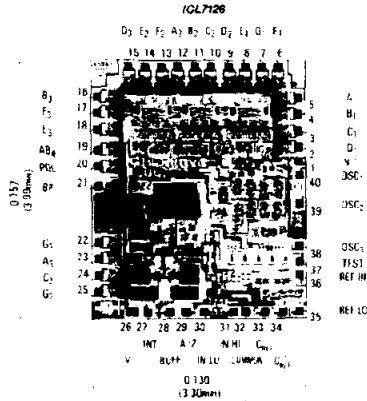


Figure 11. 7126 used as a Digital Centigrade Thermometer. A silicon diode-connected transistor has a temperature coefficient of about  $-2mV/^{\circ}C$ . Calibration is achieved by placing the sensing transistor in ice water and adjusting the zeroing potentiometer for a 000.0 reading. The sensor should then be placed in boiling water and the scale-factor potentiometer adjusted for a 100.0 reading.

## Chip Topography



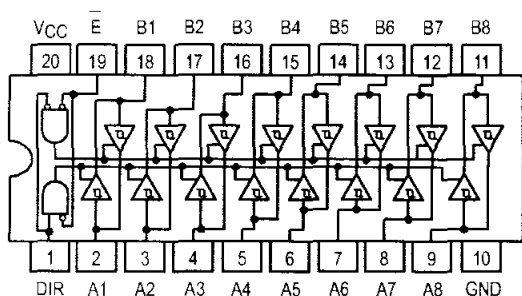
Maxim cannot assume responsibility for use of any circuitry other than circuitry entirely embodied in a Maxim product. No circuit patent licenses are implied. Maxim reserves the right to change the circuitry and specifications without notice at any time.

# OCTAL BUS TRANSCEIVER

The SN54/74LS245 is an Octal Bus Transmitter/Receiver designed for 3-line asynchronous 2-way data communication between data buses. Direction Input (DR) controls transmission of Data from bus A to bus B or bus B to bus A depending upon its logic level. The Enable input (E) can be used to isolate the buses.

- Hysteresis Inputs to Improve Noise Immunity
- 2-Way Asynchronous Data Bus Communication
- Input Diodes Limit High-Speed Termination Effects
- ESD > 3500 Volts

## LOGIC AND CONNECTION DIAGRAMS DIP (TOP VIEW)



## TRUTH TABLE

INPUTS		OUTPUT
E	DIR	
L	L	Bus B Data to Bus A
L	H	Bus A Data to Bus B
H	X	Isolation

L = HIGH Voltage Level  
 . = LOW Voltage Level  
 X = Immaterial

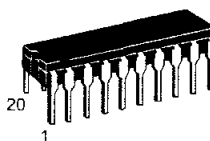
## GUARANTEED OPERATING RANGES

Symbol	Parameter		Min	Typ	Max	Unit
VCC	Supply Voltage	54	4.5	5.0	5.5	V
		74	4.75	5.0	5.25	
TA	Operating Ambient Temperature Range	54	-55	25	125	°C
		74	0	25	70	
IOH	Output Current — High	54, 74			-3.0	mA
		54, 74			-12 -15	
IOL	Output Current — Low	54			12	mA
		74			24	

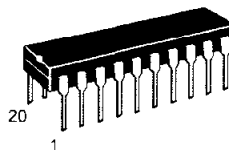
# SN54/74LS245

## OCTAL BUS TRANSCEIVER

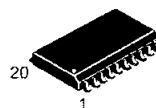
### LOW POWER SCHOTTKY



**J SUFFIX**  
 CERAMIC  
 CASE 732-03



**N SUFFIX**  
 PLASTIC  
 CASE 738-03



**DW SUFFIX**  
 SOIC  
 CASE 751D-03

## ORDERING INFORMATION

SN54LSXXXJ Ceramic  
 SN74LSXXXN Plastic  
 SN74LSXXXDW SOIC

# SN54/74LS245

## CHARACTERISTICS OVER OPERATING TEMPERATURE RANGE (unless otherwise specified)

Symbol	Parameter		Limits			Unit	Test Conditions
			Min	Typ	Max		
V <sub>IH</sub>	Input HIGH Voltage		2.0			V	Guaranteed Input HIGH Voltage for All Inputs
V <sub>IL</sub>	Input LOW Voltage	54		0.7	V	Guaranteed Input LOW Voltage for All Inputs	
		74		0.8			
V <sub>T+</sub> -V <sub>T-</sub>	Hysteresis		0.2	0.4		V	V <sub>CC</sub> = MIN
V <sub>IK</sub>	Input Clamp Diode Voltage			-0.65	-1.5	V	V <sub>CC</sub> = MIN, I <sub>IN</sub> = -18 mA
V <sub>OH</sub>	Output HIGH Voltage	54, 74	2.4	3.4		V	V <sub>CC</sub> = MIN, I <sub>OH</sub> = -3.0 mA
		54, 74	2.0			V	V <sub>CC</sub> = MIN, I <sub>OH</sub> = MAX
V <sub>OL</sub>	Output LOW Voltage	54, 74		0.25	0.4	V	I <sub>OL</sub> = 12 mA
		74		0.35	0.5	V	I <sub>OL</sub> = 24 mA
V <sub>OZH</sub>	Output Off Current HIGH				20	μA	V <sub>CC</sub> = MAX, V <sub>OUT</sub> = 2.7 V
V <sub>OZL</sub>	Output Off Current LOW				-200	μA	V <sub>CC</sub> = MAX, V <sub>OUT</sub> = 0.4 V
I <sub>IH</sub>	Input HIGH Current	A or B, DR or E			20	μA	V <sub>CC</sub> = MAX, V <sub>IN</sub> = 2.7 V
		DR or E			0.1	mA	V <sub>CC</sub> = MAX, V <sub>IN</sub> = 7.0 V
		A or B			0.1	mA	V <sub>CC</sub> = MAX, V <sub>IN</sub> = 5.5 V
I <sub>IL</sub>	Input LOW Current				-0.2	mA	V <sub>CC</sub> = MAX, V <sub>IN</sub> = 0.4 V
I <sub>OS</sub>	Output Short Circuit Current (Note 1)		-40		-225	mA	V <sub>CC</sub> = MAX
I <sub>CC</sub>	Power Supply Current Total, Output HIGH				70	mA	V <sub>CC</sub> = MAX
	Total, Output LOW				90		
	Total at HIGH Z				95		

Note 1: Not more than one output should be shorted at a time, nor for more than 1 second.

## CHARACTERISTICS (T<sub>A</sub> = 25°C, V<sub>CC</sub> = 5.0 V, T<sub>RISE</sub>/T<sub>FALL</sub> ≤ 6.0 ns)

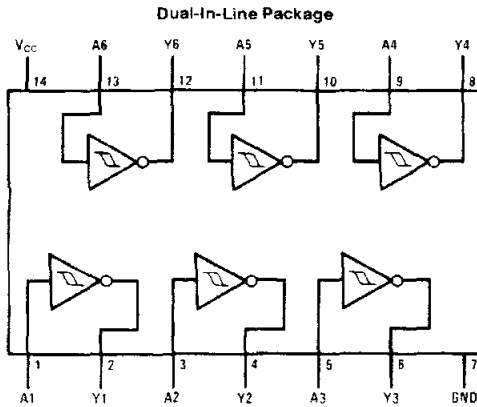
Symbol	Parameter		Limits			Unit	Test Conditions
			Min	Typ	Max		
LH HL	Propagation Delay, Data to Output			8.0	12	ns	C <sub>L</sub> = 45 pF, R <sub>L</sub> = 667 Ω
ZH	Output Enable Time to HIGH Level			25	40		
ZL	Output Enable Time to LOW Level			27	40		
LZ	Output Disable Time from LOW Level			15	25	ns	C <sub>L</sub> = 5.0 pF, R <sub>L</sub> = 667 Ω
HZ	Output Disable Time from HIGH Level			15	25		

## 54LS14/DM74LS14 Hex Inverters with Schmitt Trigger Inputs

### General Description

This device contains six independent gates each of which performs the logic INVERT function. Each input has hysteresis which increases the noise immunity and transforms a slowly changing input signal to a fast changing, jitter free output.

### Connection Diagram



TL/F/6353-1

Order Number 54LS14DMQB, 54LS14FMQB,  
54LS14LMQB, DM74LS14M or DM74LS14N  
See NS Package Number E20A, J14A, M14A, N14A or W14B

### Function Table

$Y = \bar{A}$

Input	Output
A	Y
L	H
H	L

H = High Logic Level  
L = Low Logic Level

## Absolute Maximum Ratings (Note)

If Military/Aerospace specified devices are required, please contact the National Semiconductor Sales Office/Distributors for availability and specifications.

Supply Voltage	7V
Input Voltage	7V
Operating Free Air Temperature Range	
54LS	-55°C to +125°C
DM74LS	0°C to +70°C
Storage Temperature Range	-65°C to +150°C

Note: The "Absolute Maximum Ratings" are those values beyond which the safety of the device cannot be guaranteed. The device should not be operated at these limits. The parametric values defined in the "Electrical Characteristics" table are not guaranteed at the absolute maximum ratings. The "Recommended Operating Conditions" table will define the conditions for actual device operation.

## Recommended Operating Conditions

Symbol	Parameter	54LS14			DM74LS14			Units
		Min	Nom	Max	Min	Nom	Max	
V <sub>CC</sub>	Supply Voltage	4.5	5	5.5	4.75	5	5.25	V
V <sub>T+</sub>	Positive-Going Input Threshold Voltage (Note 1)	1.5	1.6	2.0	1.4	1.6	1.9	V
V <sub>T-</sub>	Negative-Going Input Threshold Voltage (Note 1)	0.6	0.8	1.1	0.5	0.8	1	V
HYS	Input Hysteresis (Note 1)	0.4	0.8		0.4	0.8		V
I <sub>OH</sub>	High Level Output Current			-0.4			0.4	mA
I <sub>OL</sub>	Low Level Output Current			4			8	mA
T <sub>A</sub>	Free Air Operating Temperature	-55		125	0		70	°C

## Electrical Characteristics over recommended operating free air temperature range (unless otherwise noted)

Symbol	Parameter	Conditions	Min	Typ (Note 2)	Max	Units
V <sub>I</sub>	Input Clamp Voltage	V <sub>CC</sub> = Min, I <sub>I</sub> = -18 mA			1.5	V
V <sub>OH</sub>	High Level Output Voltage	V <sub>CC</sub> = Min, I <sub>OH</sub> = Max V <sub>IL</sub> = Max	54LS 2.5	3.4		V
V <sub>OL</sub>	Low Level Output Voltage	V <sub>CC</sub> = Min, I <sub>OL</sub> = Max V <sub>IH</sub> = Min	54LS	0.25	0.4	V
			DM74	0.35	0.5	
		V <sub>CC</sub> = Min, I <sub>OL</sub> = 4 mA	DM74	0.25	0.4	
I <sub>T+</sub>	Input Current at Positive-Going Threshold	V <sub>CC</sub> = 5V, V <sub>I</sub> = V <sub>T+</sub>	DM74		-0.14	mA
I <sub>T-</sub>	Input Current at Negative-Going Threshold	V <sub>CC</sub> = 5V, V <sub>I</sub> = V <sub>T-</sub>	DM74		-0.18	mA
I <sub>I</sub>	Input Current @ Max Input Voltage	V <sub>CC</sub> = Max, V <sub>I</sub> = 7V	DM74		0.1	mA
		V <sub>CC</sub> = Max, V <sub>I</sub> = 10.0V	54LS			
I <sub>IH</sub>	High Level Input Current	V <sub>CC</sub> = Max, V <sub>I</sub> = 2.7V			20	μA
I <sub>IL</sub>	Low Level Input Current	V <sub>CC</sub> = Max, V <sub>I</sub> = 0.4V			0.4	mA
I <sub>OS</sub>	Short Circuit Output Current	V <sub>CC</sub> = Max (Note 3)	54LS	-20	-100	mA
			DM74	-20	-100	
I <sub>CCH</sub>	Supply Current with Outputs High	V <sub>CC</sub> = Max		8.6	16	mA
I <sub>CCL</sub>	Supply Current with Outputs Low	V <sub>CC</sub> = Max		12	21	mA

Note 1: V<sub>CC</sub> = 5V.

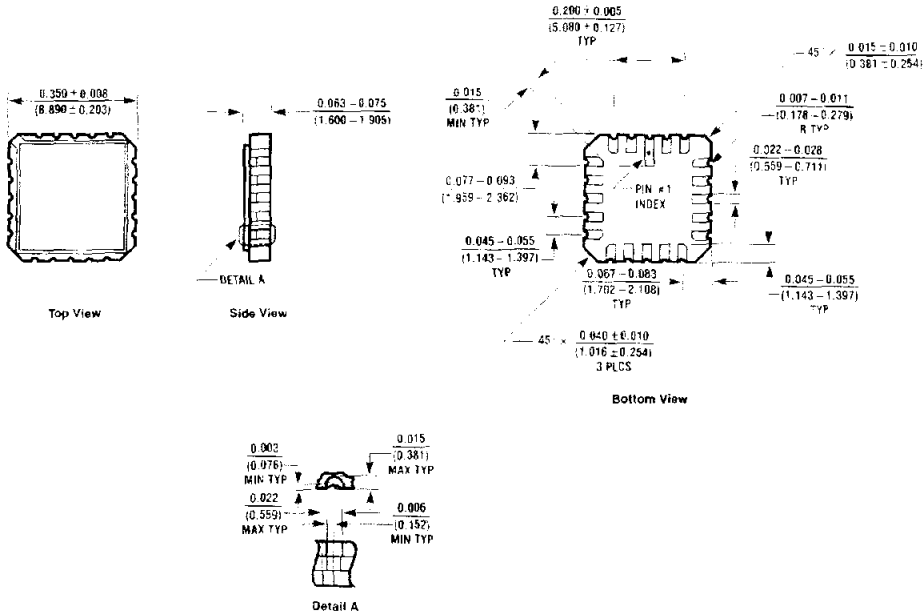
Note 2: All typicals are at V<sub>CC</sub> = 5V, T<sub>A</sub> = 25°C.

Note 3: Not more than one output should be shorted at a time, and the duration should not exceed one second.

**Switching Characteristics** at  $V_{CC} = 5V$  and  $T_A = 25^{\circ}C$  (See Section 1 for Test Waveforms and Output Load)

Symbol	Parameter	$R_L = 2\text{ k}\Omega$				Units
		$C_L = 15\text{ pF}$		$C_L = 50\text{ pF}$		
		Min	Max	Min	Max	
$t_{PLH}$	Propagation Delay Time Low to High Level Output	5	22	8	25	ns
$t_{PHL}$	Propagation Delay Time High to Low Level Output	5	22	10	33	ns

**Physical Dimensions** inches (millimeters)

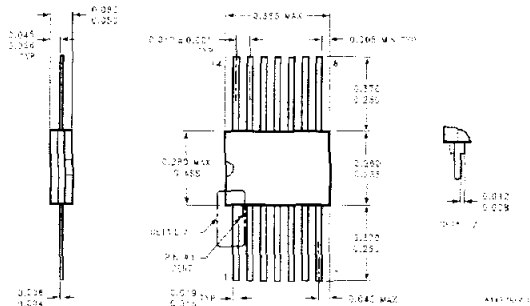


**Ceramic Leadless Chip Carrier (E)**  
**Order Number 54LS14LMQB**  
**NS Package Number E20A**

LSI-889-01



## Physical Dimensions inches (millimeters) (Continued)




14-Lead Ceramic Flat Package (W)  
Order Number 54LS14FMQB  
NS Package Number W14B

## LIFE SUPPORT POLICY

NATIONAL'S PRODUCTS ARE NOT AUTHORIZED FOR USE AS CRITICAL COMPONENTS IN LIFE SUPPORT DEVICES OR SYSTEMS WITHOUT THE EXPRESS WRITTEN APPROVAL OF THE PRESIDENT OF NATIONAL SEMICONDUCTOR CORPORATION. As used herein:

1. Life support devices or systems are devices or systems which, (a) are intended for surgical implant into the body, or (b) support or sustain life, and whose failure to perform, when properly used in accordance with instructions for use provided in the labeling, can be reasonably expected to result in a significant injury to the user.
2. A critical component is any component of a life support device or system whose failure to perform can be reasonably expected to cause the failure of the life support device or system, or to affect its safety or effectiveness.

 <p><b>National Semiconductor Corporation</b> 1111 West Bardin Road Arlington, TX 76017 Tel: 1(800) 272-9959 Fax: 1(800) 737-7018</p>	<p><b>National Semiconductor Europe</b> Fax: (+49) 0-180-530 85 86 Email: cnjwgc@tevm2.nsc.com Deutsch: Tel: (+49) 0-180-530 85 85 English: Tel: (+49) 0-180-532 78 32 Français: Tel: (+49) 0-180-532 93 58 Italiano: Tel: (+49) 0-180-534 16 60</p>	<p><b>National Semiconductor Hong Kong Ltd.</b> 13th Floor, Straight Block, Ocean Centre, 5 Canton Rd. Tsimshatsui, Kowloon Hong Kong Tel: (852) 2737-1800 Fax: (852) 2736-0960</p>	<p><b>National Semiconductor Japan Ltd.</b> Tel: 81-043-299-2309 Fax: 81-043-299-2408</p>
---	--	---	---

National does not assume any responsibility for use of any circuitry described, no circuit patent licenses are implied and National reserves the right at any time without notice to change said circuitry and specifications.

## BD135/137/139

BD135/137/139

### Medium Power Linear and Switching Applications

- Complement to BD136, BD138 and BD140 respectively

1 TO-126  
1. Emitter 2. Collector 3. Base

### NPN Epitaxial Silicon Transistor

#### Absolute Maximum Ratings $T_C=25^\circ\text{C}$ unless otherwise noted

Symbol	Parameter	Value	Units
$V_{CBO}$	Collector-Base Voltage : BD135	45	V
	: BD137	60	V
	: BD139	80	V
$V_{CEO}$	Collector-Emitter Voltage : BD135	45	V
	: BD137	60	V
	: BD139	80	V
$V_{EBO}$	Emitter-Base Voltage	5	V
$I_C$	Collector Current (DC)	1.5	A
$I_{CP}$	Collector Current (Pulse)	3.0	A
$I_B$	Base Current	0.5	A
$P_C$	Collector Dissipation ( $T_C=25^\circ\text{C}$ )	12.5	W
$P_C$	Collector Dissipation ( $T_a=25^\circ\text{C}$ )	1.25	W
$T_J$	Junction Temperature	150	$^\circ\text{C}$
$T_{STG}$	Storage Temperature	- 55 ~ 150	$^\circ\text{C}$

#### Electrical Characteristics $T_C=25^\circ\text{C}$ unless otherwise noted

Symbol	Parameter	Test Condition	Min.	Typ.	Max.	Units	
$V_{CEO(sus)}$	Collector-Emitter Sustaining Voltage : BD135	$I_C = 30\text{mA}, I_B = 0$	45			V	
	: BD137		60			V	
	: BD139		80			V	
$I_{CBO}$	Collector Cut-off Current	$V_{CB} = 30\text{V}, I_E = 0$			0.1	$\mu\text{A}$	
$I_{EBO}$	Emitter Cut-off Current	$V_{EB} = 5\text{V}, I_C = 0$			10	$\mu\text{A}$	
$h_{FE1}$	DC Current Gain : ALL DEVICE	$V_{CE} = 2\text{V}, I_C = 5\text{mA}$	25				
$h_{FE2}$		$V_{CE} = 2\text{V}, I_C = 0.5\text{A}$	25				
$h_{FE3}$		: BD135	$V_{CE} = 2\text{V}, I_C = 150\text{mA}$	40		250	
		: BD137, BD139		40		160	
$V_{CE(sat)}$	Collector-Emitter Saturation Voltage	$I_C = 500\text{mA}, I_B = 50\text{mA}$			0.5	V	
$V_{BE(on)}$	Base-Emitter ON Voltage	$V_{CE} = 2\text{V}, I_C = 0.5\text{A}$			1	V	

#### $h_{FE}$ Classification

Classification	6	10	16
$h_{FE3}$	40 ~ 100	63 ~ 160	100 ~ 250

# Typical Characteristics

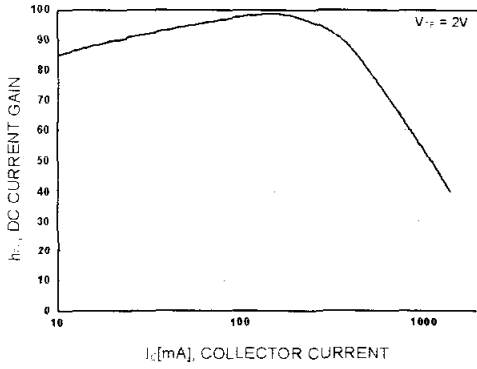


Figure 1. DC current Gain

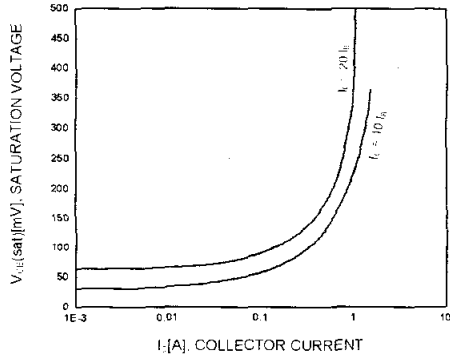


Figure 2. Collector-Emitter Saturation Voltage

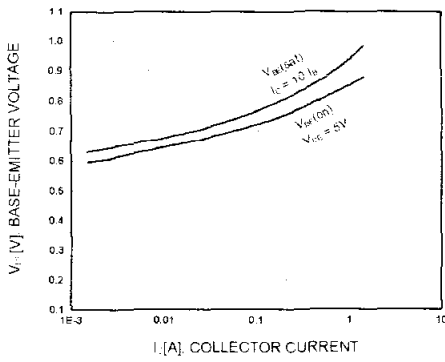


Figure 3. Base-Emitter Voltage

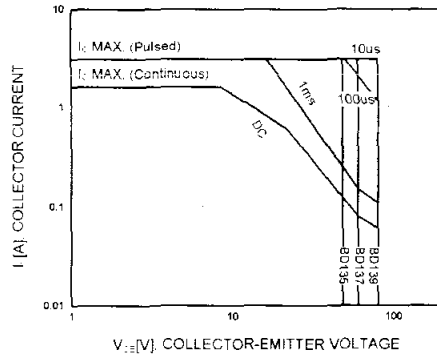


Figure 4. Safe Operating Area

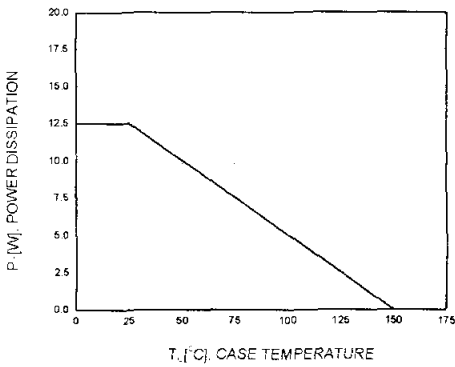
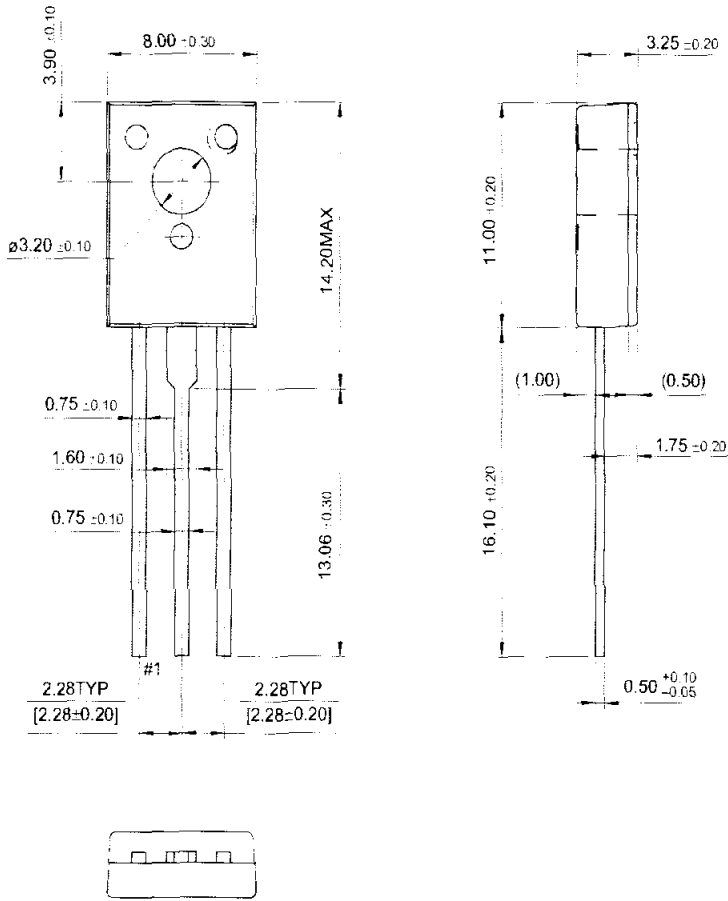


Figure 5. Power Derating

# Package Dimensions

BD135/137/139

## TO-126



Dimensions in Millimeters

## TRADEMARKS

The following are registered and unregistered trademarks Fairchild Semiconductor owns or is authorized to use and is not intended to be an exhaustive list of all such trademarks.

ACE <sub>x</sub> <sup>TM</sup>	HiSeC <sup>TM</sup>	SuperSOT <sup>TM</sup> -8
Bottomless <sup>TM</sup>	ISOPLANAR <sup>TM</sup>	SyncFET <sup>TM</sup>
CoolFET <sup>TM</sup>	MICROWIRE <sup>TM</sup>	TinyLogic <sup>TM</sup>
CROSSVOLT <sup>TM</sup>	POP <sup>TM</sup>	UHC <sup>TM</sup>
E <sup>2</sup> C MOS <sup>TM</sup>	PowerTrench <sup>®</sup>	VCX <sup>TM</sup>
FACT <sup>TM</sup>	QFET <sup>TM</sup>	
FACT Quiet Series <sup>TM</sup>	QS <sup>TM</sup>	
FAST <sup>®</sup>	Quiet Series <sup>TM</sup>	
FAST <sub>r</sub> <sup>TM</sup>	SuperSOT <sup>TM</sup> -3	
GTO <sup>TM</sup>	SuperSOT <sup>TM</sup> -6	

## DISCLAIMER

FAIRCHILD SEMICONDUCTOR RESERVES THE RIGHT TO MAKE CHANGES WITHOUT FURTHER NOTICE TO ANY PRODUCTS HEREIN TO IMPROVE RELIABILITY, FUNCTION OR DESIGN. FAIRCHILD DOES NOT ASSUME ANY LIABILITY ARISING OUT OF THE APPLICATION OR USE OF ANY PRODUCT OR CIRCUIT DESCRIBED HEREIN; NEITHER DOES IT CONVEY ANY LICENSE UNDER ITS PATENT RIGHTS, NOR THE RIGHTS OF OTHERS.

## LIFE SUPPORT POLICY

FAIRCHILD'S PRODUCTS ARE NOT AUTHORIZED FOR USE AS CRITICAL COMPONENTS IN LIFE SUPPORT DEVICES OR SYSTEMS WITHOUT THE EXPRESS WRITTEN APPROVAL OF FAIRCHILD SEMICONDUCTOR INTERNATIONAL.

As used herein:

1. Life support devices or systems are devices or systems which, (a) are intended for surgical implant into the body, or (b) support or sustain life, or (c) whose failure to perform when properly used in accordance with instructions for use provided in the labeling, can be reasonably expected to result in significant injury to the user.
2. A critical component is any component of a life support device or system whose failure to perform can be reasonably expected to cause the failure of the life support device or system, or to affect its safety or effectiveness.

## PRODUCT STATUS DEFINITIONS

### Definition of Terms

Datasheet Identification	Product Status	Definition
Advance Information	Formative or In Design	This datasheet contains the design specifications for product development. Specifications may change in any manner without notice.
Preliminary	First Production	This datasheet contains preliminary data, and supplementary data will be published at a later date. Fairchild Semiconductor reserves the right to make changes at any time without notice in order to improve design.
No Identification Needed	Full Production	This datasheet contains final specifications. Fairchild Semiconductor reserves the right to make changes at any time without notice in order to improve design.
Obsolete	Not In Production	This datasheet contains specifications on a product that has been discontinued by Fairchild semiconductor. The datasheet is printed for reference information only.

PERPUSTAKAAN  
 Universitas Katoik Widyadarmas  
 Mandala  
 SUKABAYA