



URL

- *INTRODUCTION TO THE INTERNET PROTOCOL*, Steven E Newton, 1994

<http://oac.hsc.uth.tmc.edu/bios/steve.html>

Last Visited : Maret 2000

- *PORT TCP/IP*

<http://www.s390.ibm.com:80/bookmgr-cgi/bookmgr.cmd/BOOKS/EZ306200/2%2e10%2e1>

Last Visited : Maret 2000

- *WHAT IS PERL*

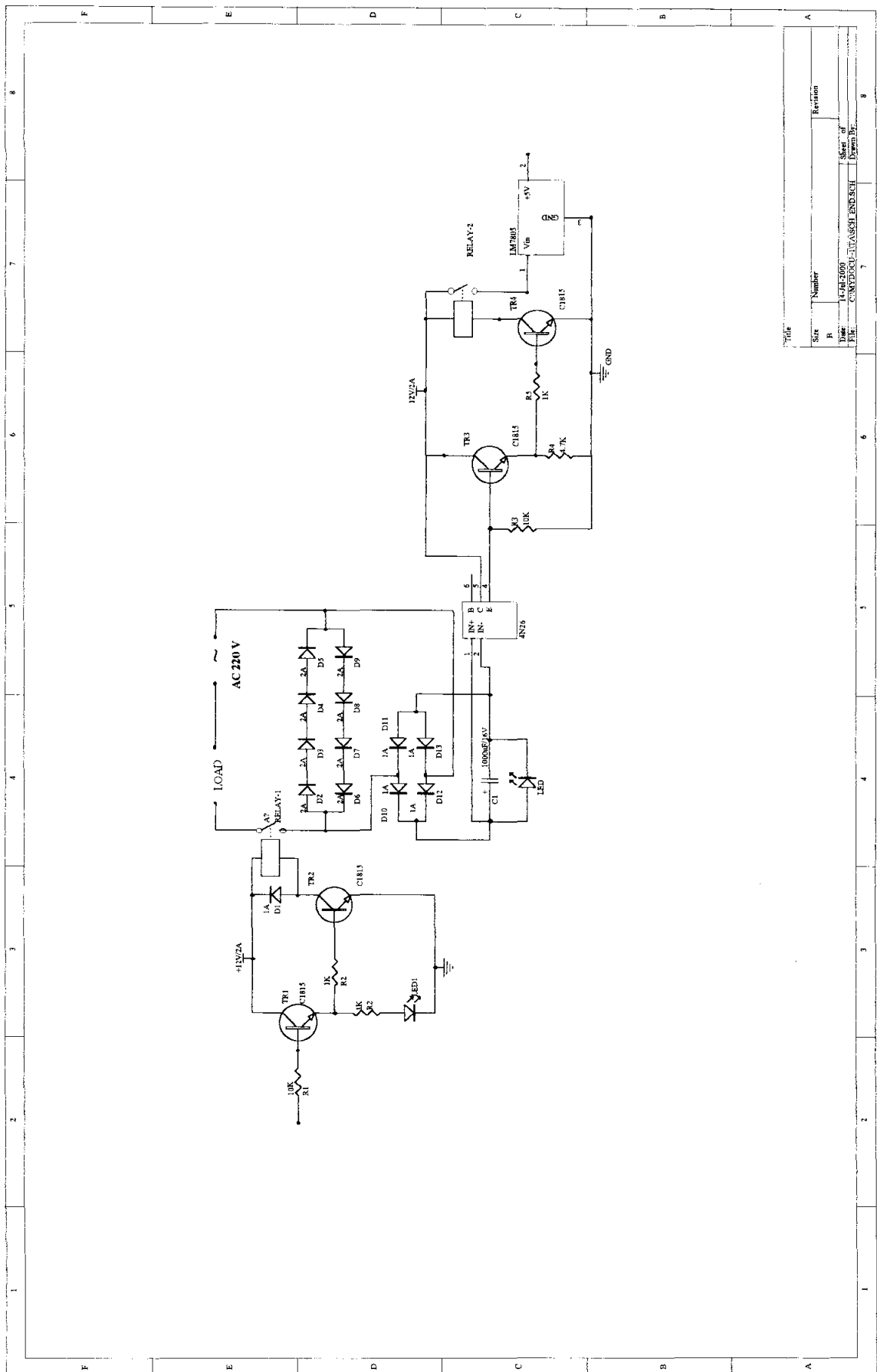
<http://www.ncsa.uiuc.edu/General/Training/PerlIntro/whatIs.html>

Last Visited : Desember 1999

- *WHAT IS PERL*, Tom Christianse

<http://language.perl.com/info/synopsis.html>

Last Visited : Maret 2000



Title	
Size	Number
R	10-01-2000
Date	CONFIDENTIAL
FILE	CONFIDENTIAL
Sheet of	Revision
8	8

Listing Program "control.pl"

```
$lokasi_log="/website/cgi-sh1/log.dat";

##
## Program ini untuk keamanan Password
##
##### mulai disini mengkonfirmasi password dulu #####
$password2="kendali";
$username2="user";

# membaca CGI parameters
&readparam; ## membaca parameter input form
&tanggal; ## menjalankan sub tanggal

print("Content-type: text/html\n\n");

$username = $cgiVals{'username'};
$password = $cgiVals{'password'};

## Tampilan kalau password & username salah
unless (($password eq $password2) && ($username eq $username2))
{
    print "<h1>Tidak Diijinkan</h1>";
    print "$username<br>";
    print "Password = $c_password<br>";
    print "Tanggal = $date";
    exit;
}
##### selesai pengkonfirmasi password #####

$c_password2=crypt($password2,$password2); ## Encrypt Password
supaya acak
$c_password=crypt($password,$password); ## Encrypt Password supaya
acak

## penambahan menit di password supaya tidak bisa history
$tambah=1707+$hour;
$c_password="$c_password$tambah";

### membuat log yang login dan berhasil
open (LOG, ">>$lokasi_log");
print LOG "Login : $date - $username \n";
close (LOG);

print <<ETULIS;
<html>

<head>
<title>Online Electronic Control</title>
</head>

<FRAMESET rows="100%,*" border=0 frameborder=0 framespacing=0
framecolor="#000000">
<FRAME src="http://warik.wima.ac.id/cgi-
sh1/periksa.pl?hi=qwoeriuter126adsf33218&uN=$username&aM=$c_password"
name="thepage">
<NOFRAMES>
<BODY bgcolor="#FFFFFF">
```

```

<CENTER>
<H2> </H2>

<BR>
<BR>
<A href="">Sorry</A>
</CENTER>
</BODY>
  </noframes>
</frameset>
</html>

```

ETULIS

```

#### Kumpulan Sub #####
sub readparam {

    if ( ($ENV{'REQUEST_METHOD'} eq 'POST') || ($ENV{'REQUEST_METHOD'}
eq 'post') ) {
        read(STDIN, $buffer, $ENV{'CONTENT_LENGTH'});          #read for
POST method to $buffer
        @cgiPairs = split(/\&/,$buffer);
    }
    else {
        #get the pairs of parameters passed to the script      for GET
method
        @cgiPairs = split(/\&/,$ENV{'QUERY_STRING'});
    }

    #split the pairs into a %cgiVals hash
    foreach $pair ( @cgiPairs ) {
        ($var,$val) = split("=", $pair);
        $val =~ s/\+/ /g;
        $val =~ s/%(..)/pack("c",hex($1))/ge;
        $var =~ s/\+/ /g;
        $var =~ s/%(..)/pack("c",hex($1))/ge;
        $cgiVals{"$var"} = "$val";
    }
} ### akhir dari readparam

sub tanggal {

@days = ('001','002','003','004','005','006','007');
@months = ('1','2','3','4','5','6','7','8','9',
           '10','11','12');

($sec, $min, $hour, $mday, $mon, $year, $wday, $yday, $isdst) =
localtime(time);

if ($isdst eq "1") { $time_diff = ($yourtime - $zone - 1); }
else { $time_diff = ($yourtime - $zone) };

$time_diff = $time_diff * 3600;

($sec, $min, $hour, $mday, $mon, $year, $wday, $yday, $isdst) =
localtime(time + $time_diff);
if ($min < 10) { $min = "0$min"; }
if ($sec < 10) { $sec = "0$sec"; }

```

Listing Program "control.pl"

```
if ($format == 12) {
    if ($hour == 12) { $state = "pm"; }
    else { $state = "am"; }

    if ($hour == 0) {
        $hour = $hour + 12;
        $state = "am";
    }

    if ($hour > 12) {
        $hour = $hour - 12;
        $state = "pm";
    }
}

# rectify Y2K problem
$year += 1900;

if ($mode == 1) { $time = "$hour:$min:$sec$state"; }
else { $time = "$hour:$min$state"; }
$date = "$mday-$months[$mon]-$year [$time]";
#print "$date\n";

} ## akhir dari sub tanggal
```

Listing Program "periksa.pl"

```
$lokasi_data="/data/periksa.dat";
$lokasi_data_saklar="/data/hidup";
$alamat_url_awal="http://warik.wima.ac.id/cgi-shl/periksa.pl";

##### mulai disini mengkonfirmasi password dulu #####
$password2="kendali";
$username2="user";

$c_password2=crypt($password2,$password2); ## Encrypt Password
supaya acak

# membaca CGI parameters
&readparam; ## membaca parameter input form
&tanggal; ## menjalankan sub tanggal

## penambahan menit supaya tidak bisa history
$tambah=1707+$hour;
$c_password2="$c_password2$tambah";

print("Content-type: text/html\n\n");

$username = $cgiVals{'uN'};
$c_password = $cgiVals{'aM'};

#$c_password=crypt($password,$password); ## Encrypt Password supaya
acak

## Tampilan kalau password & username salah
unless (($c_password eq $c_password2) && ($username eq $username2))
{
    print "<h1>Tidak Diijinkan</h1><p>";
    print "Please try to <a href=\"http://warik.wima.ac.id\">Login
again</a><br>";
    #print "Password 1= $c_password<br>";
    #print "Password 2= $c_password2<br>";
    #print "Tanggal = $date";
    exit;
}
##### selesai pengkonfirmasi password #####

$password=$c_password;

## 3 baris dibawah untuk perintah membuka file status perintah untuk
saklar
open (DATA2, "$lokasi_data_saklar");
$tulis_hasil_saklar=<DATA2>;
close (DATA2);

system("/data/periksa.exe"); # untuk mengeksekusi program periksa
keadaan beban

## 3 baris dibawah untuk perintah membuka file status keadaan beban
open (DATA2, "$lokasi_data");
$tulis_hasil=<DATA2>;
close (DATA2);
```

Listing Program "periksa.pl"

```
#print("Content-Type: text/html\n\n");

#print "Hasilnya dalam desimal : $tulis_hasil";

if ($tulis_hasil_saklar =~ /\n$/) { ## untuk memastikan number,
    bukan karakter
    chop($tulis_hasil_saklar);
}
if ($tulis_hasil =~ /\n$/) { ## untuk memastikan number, bukan
    karakter
    chop($tulis_hasil);
}

#print "Data = $tulis_hasil<p>";

## 31 if (kebawah) untuk perintah status perintah saklar
if ($tulis_hasil_saklar eq '1') { #1
    $tulis='1';
    $l5s=0;$l4s=0;$l3s=0;$l2s=0;$l1s=1; #1
}
if ($tulis_hasil_saklar eq '2') { #2
    $tulis='2';
    $l5s=0;$l4s=0;$l3s=0;$l2s=1;$l1s=0; #2
}
if ($tulis_hasil_saklar eq '3') { #3
    $tulis='3';
    $l5s=0;$l4s=0;$l3s=0;$l2s=1;$l1s=1; #3
}
if ($tulis_hasil_saklar eq '4') { #4
    $tulis='4';
    $l5s=0;$l4s=0;$l3s=1;$l2s=0;$l1s=0; #4
}
if ($tulis_hasil_saklar eq '5') { #5
    $tulis='5';
    $l5s=0;$l4s=0;$l3s=1;$l2s=0;$l1s=1; #5
}
if ($tulis_hasil_saklar eq '6') { #6
    $tulis='6';
    $l5s=0;$l4s=0;$l3s=1;$l2s=1;$l1s=0; #6
}
if ($tulis_hasil_saklar eq '7') { #7
    $tulis='7';
    $l5s=0;$l4s=0;$l3s=1;$l2s=1;$l1s=1; #7
}
if ($tulis_hasil_saklar eq '8') { #8
    $tulis='8';
    $l5s=0;$l4s=1;$l3s=0;$l2s=0;$l1s=0; #8
}
if ($tulis_hasil_saklar eq '9') { #9
    $tulis='9';
    $l5s=0;$l4s=1;$l3s=0;$l2s=0;$l1s=1; #9
}
if ($tulis_hasil_saklar eq '10') { #10
    $tulis='10';
    $l5s=0;$l4s=1;$l3s=0;$l2s=1;$l1s=0; #10
}
if ($tulis_hasil_saklar eq '11') { #11
    $tulis='11';
```


Listing Program "periksa.pl"

```
    $15s=0;$14s=1;$13s=0;$12s=1;$11s=1; #11
}
if ($tulis_hasil_saklar eq '12') { #12
    $tulis='12';
    $15s=0;$14s=1;$13s=1;$12s=0;$11s=0; #12
}
if ($tulis_hasil_saklar eq '13') { #13
    $tulis='13';
    $15s=0;$14s=1;$13s=1;$12s=0;$11s=1; #13
}
if ($tulis_hasil_saklar eq '14') { #14
    $tulis='14';
    $15s=0;$14s=1;$13s=1;$12s=1;$11s=0; #14
}
if ($tulis_hasil_saklar eq '15') { #15
    $tulis='15';
    $15s=0;$14s=1;$13s=1;$12s=1;$11s=1; #15
}
if ($tulis_hasil_saklar eq '16') { #16
    $tulis='16';
    $15s=1;$14s=0;$13s=0;$12s=0;$11s=0; #16
}
if ($tulis_hasil_saklar eq '17') { #17
    $tulis='17';
    $15s=1;$14s=0;$13s=0;$12s=0;$11s=1; #17
}
if ($tulis_hasil_saklar eq '18') { #18
    $tulis='18';
    $15s=1;$14s=0;$13s=0;$12s=1;$11s=0; #18
}
if ($tulis_hasil_saklar eq '19') { #19
    $tulis='19';
    $15s=1;$14s=0;$13s=0;$12s=1;$11s=1; #19
}
if ($tulis_hasil_saklar eq '20') { #20
    $tulis='20';
    $15s=1;$14s=0;$13s=1;$12s=0;$11s=0; #20
}
if ($tulis_hasil_saklar eq '21') { #21
    $tulis='21';
    $15s=1;$14s=0;$13s=1;$12s=0;$11s=1; #21
}
if ($tulis_hasil_saklar eq '22') { #22
    $tulis='22';
    $15s=1;$14s=0;$13s=1;$12s=1;$11s=0; #22
}
if ($tulis_hasil_saklar eq '23') { #23
    $tulis='23';
    $15s=1;$14s=0;$13s=1;$12s=1;$11s=1; #23
}
if ($tulis_hasil_saklar eq '24') { #24
    $tulis='24';
    $15s=1;$14s=1;$13s=0;$12s=0;$11s=0; #24
}
if ($tulis_hasil_saklar eq '25') { #25
    $tulis='25';
    $15s=1;$14s=1;$13s=0;$12s=0;$11s=1; #25
}
if ($tulis_hasil_saklar eq '26') { #26
    $tulis='26';
    $15s=1;$14s=1;$13s=0;$12s=1;$11s=0; #26
}
```

```

}
if ($tulis_hasil_saklar eq '27') { #27
    $tulis='27';
    $l5s=1;$l4s=1;$l3s=0;$l2s=1;$l1s=1; #27
}
if ($tulis_hasil_saklar eq '28') { #28
    $tulis='28';
    $l5s=1;$l4s=1;$l3s=1;$l2s=0;$l1s=0; #28
}
if ($tulis_hasil_saklar eq '29') { #29
    $tulis='29';
    $l5s=1;$l4s=1;$l3s=1;$l2s=0;$l1s=1; #29
}
if ($tulis_hasil_saklar eq '30') { #30
    $tulis='30';
    $l5s=1;$l4s=1;$l3s=1;$l2s=1;$l1s=0; #30
}
if ($tulis_hasil_saklar eq '31') { #31
    $tulis='31';
    $l5s=1;$l4s=1;$l3s=1;$l2s=1;$l1s=1; #31
}

## kalau semua kondisi diatas tidak terpenuhi, apakah
$tulis_hasil_saklar=0 ??
if ($tulis_hasil_saklar eq 0) { #31
    $tulis='31';
    $l5s=0;$l4s=0;$l3s=0;$l2s=0;$l1s=0; #31
}

####5 baris ke bawah hanya untuk periksa saja
#print "<p>L1s=$l1s<br>";
#print "L2s=$l2s<br>";
#print "L3s=$l3s<br>";
#print "L4s=$l4s<br>";
#print "L5s=$l5s<br>";

## 31 if untuk perintah status beban
if ($tulis_hasil eq '1') { #1
    $tulis='1';
    $l5=0;$l4=0;$l3=0;$l2=0;$l1=1; #1
}
if ($tulis_hasil eq '2') { #2
    $tulis='2';
    $l5=0;$l4=0;$l3=0;$l2=1;$l1=0; #2
}
if ($tulis_hasil eq '3') { #3
    $tulis='3';
    $l5=0;$l4=0;$l3=0;$l2=1;$l1=1; #3
}
if ($tulis_hasil eq '4') { #4
    $tulis='4';
    $l5=0;$l4=0;$l3=1;$l2=0;$l1=0; #4
}
if ($tulis_hasil eq '5') { #5
    $tulis='5';
    $l5=0;$l4=0;$l3=1;$l2=0;$l1=1; #5
}
if ($tulis_hasil eq '6') { #6
    $tulis='6';

```

```
    $15=0;$14=0;$13=1;$12=1;$11=0; #6
}
if ($tulis_hasil eq '7') { #7
    $tulis='7';
    $15=0;$14=0;$13=1;$12=1;$11=1; #7
}
if ($tulis_hasil eq '8') { #8
    $tulis='8';
    $15=0;$14=1;$13=0;$12=0;$11=0; #8
}
if ($tulis_hasil eq '9') { #9
    $tulis='9';
    $15=0;$14=1;$13=0;$12=0;$11=1; #9
}
if ($tulis_hasil eq '10') { #10
    $tulis='10';
    $15=0;$14=1;$13=0;$12=1;$11=0; #10
}
if ($tulis_hasil eq '11') { #11
    $tulis='11';
    $15=0;$14=1;$13=0;$12=1;$11=1; #11
}
if ($tulis_hasil eq '12') { #12
    $tulis='12';
    $15=0;$14=1;$13=1;$12=0;$11=0; #12
}
if ($tulis_hasil eq '13') { #13
    $tulis='13';
    $15=0;$14=1;$13=1;$12=0;$11=1; #13
}
if ($tulis_hasil eq '14') { #14
    $tulis='14';
    $15=0;$14=1;$13=1;$12=1;$11=0; #14
}
if ($tulis_hasil eq '15') { #15
    $tulis='15';
    $15=0;$14=1;$13=1;$12=1;$11=1; #15
}
if ($tulis_hasil eq '16') { #16
    $tulis='16';
    $15=1;$14=0;$13=0;$12=0;$11=0; #16
}
if ($tulis_hasil eq '17') { #17
    $tulis='17';
    $15=1;$14=0;$13=0;$12=0;$11=1; #17
}
if ($tulis_hasil eq '18') { #18
    $tulis='18';
    $15=1;$14=0;$13=0;$12=1;$11=0; #18
}
if ($tulis_hasil eq '19') { #19
    $tulis='19';
    $15=1;$14=0;$13=0;$12=1;$11=1; #19
}
if ($tulis_hasil eq '20') { #20
    $tulis='20';
    $15=1;$14=0;$13=1;$12=0;$11=0; #20
}
if ($tulis_hasil eq '21') { #21
    $tulis='21';
    $15=1;$14=0;$13=1;$12=0;$11=1; #21
}
```

```

}
if ($tulis_hasil eq '22') { #22
    $tulis='22';
    $l5=1;$l4=0;$l3=1;$l2=1;$l1=0; #22
}
if ($tulis_hasil eq '23') { #23
    $tulis='23';
    $l5=1;$l4=0;$l3=1;$l2=1;$l1=1; #23
}
if ($tulis_hasil eq '24') { #24
    $tulis='24';
    $l5=1;$l4=1;$l3=0;$l2=0;$l1=0; #24
}
if ($tulis_hasil eq '25') { #25
    $tulis='25';
    $l5=1;$l4=1;$l3=0;$l2=0;$l1=1; #25
}
if ($tulis_hasil eq '26') { #26
    $tulis='26';
    $l5=1;$l4=1;$l3=0;$l2=1;$l1=0; #26
}
if ($tulis_hasil eq '27') { #27
    $tulis='27';
    $l5=1;$l4=1;$l3=0;$l2=1;$l1=1; #27
}
if ($tulis_hasil eq '28') { #28
    $tulis='28';
    $l5=1;$l4=1;$l3=1;$l2=0;$l1=0; #28
}
if ($tulis_hasil eq '29') { #29
    $tulis='29';
    $l5=1;$l4=1;$l3=1;$l2=0;$l1=1; #29
}
if ($tulis_hasil eq '30') { #30
    $tulis='30';
    $l5=1;$l4=1;$l3=1;$l2=1;$l1=0; #30
}
if ($tulis_hasil eq '31') { #31
    $tulis='31';
    $l5=1;$l4=1;$l3=1;$l2=1;$l1=1; #31
}

## kalau semua kondisi diatas tidak terpenuhi, apakah $tulis_hasil=0
??
if ($tulis_hasil eq 0) { #31
    $tulis='31';
    $l5=0;$l4=0;$l3=0;$l2=0;$l1=0; #31
}

$color1="<font color=red>";
$end_color1="</font>";
$tanda_hidup="$color1<b>Hidup</b> $end_color1";
$tanda_mati="<b>Mati</b>";
$huruf_petunjuk="<font size=2 color=666699>";

#print "<p>L1=$l1<br>";
#print "L2=$l2<br>";
#print "L3=$l3<br>";
#print "L4=$l4<br>";

```

```

#print "L5=$l5<br>";

### pengenalan untuk masing-masing SAKLAR dari $l(n) s ke
$status_saklar(n)
if ($l1s eq 1) {
  $status_saklar1="$tanda_hidup";
  $els1="1"; # tanda untuk pilihan selain else
}
if ($l2s eq 1) {
  $status_saklar2="$tanda_hidup";
  $els1="1"; # tanda untuk pilihan selain else
}
if ($l3s eq 1) {
  $status_saklar3="$tanda_hidup";
  $els1="1"; # tanda untuk pilihan selain else
}
if ($l4s eq 1) {
  $status_saklar4="$tanda_hidup";
  $els1="1"; # tanda untuk pilihan selain else
}
if ($l5s eq 1) {
  $status_saklar5="$tanda_hidup";
  $els1="1"; # tanda untuk pilihan selain else
}

if ($l1s ne 1) {
  $status_saklar1="$tanda_mati";
}
if ($l2s ne 1) {
  $status_saklar2="$tanda_mati";
}
if ($l3s ne 1) {
  $status_saklar3="$tanda_mati";
}
if ($l4s ne 1) {
  $status_saklar4="$tanda_mati";
}
if ($l5s ne 1) {
  $status_saklar5="$tanda_mati";
}

### pengenalan untuk masing-masing LOAD dari $l(n) ke $status(n)
if ($l1 eq 1) {
  $status1="$tanda_hidup";
  $els1="1"; # tanda untuk pilihan selain else
}
if ($l2 eq 1) {
  $status2="$tanda_hidup";
  $els1="1"; # tanda untuk pilihan selain else
}
if ($l3 eq 1) {
  $status3="$tanda_hidup";
  $els1="1"; # tanda untuk pilihan selain else
}
if ($l4 eq 1) {
  $status4="$tanda_hidup";
  $els1="1"; # tanda untuk pilihan selain else
}

```

```

}
if ($l5 eq 1) {
    $status5="$tanda_hidup";
    $els1="1"; # tanda untuk pilihan selain else
}

if ($l1 ne 1) {
    $status1="$tanda_mati";
}
if ($l2 ne 1) {
    $status2="$tanda_mati";
}
if ($l3 ne 1) {
    $status3="$tanda_mati";
}
if ($l4 ne 1) {
    $status4="$tanda_mati";
}
if ($l5 ne 1) {
    $status5="$tanda_mati";
}

#print "<p>Decimalnya = $tulis <br>";
#print "L1=$status1 ($l1) <br>";
#print "L2=$status2 ($l2) <br>";
#print "L3=$status3 ($l3) <br>";
#print "L4=$status4 ($l4) <br>";
#print "L5=$status5 ($l5) <br>";

##### Tulisan HTML #####
print <<ETULIS;
<html>

<head>
<title>Periksa Status Saklar</title>

</head>

<body>

<p><font size=5><b>Status keadaan masing-masing Saklar</b></font>

<form method="POST" action="http://warik.wima.ac.id/cgi-
sh1/pilih.pl">

<table border="0" width="100%">
ETULIS

print "<tr>";

print "<td>";
if ($l1s eq 1) {
print "<p><i><input type=checkbox name=switch1 value=on
checked>Status Saklar 1 =&nbsp;&nbsp;&nbsp;$status_saklar1 &nbsp;&nbsp;&nbsp;</i> &nbsp;&nbsp;&nbsp; ";
}
if ($l1s ne 1) {
print "<p><i><input type=checkbox name=switch1 value=on>Status Saklar
1 =&nbsp;&nbsp;&nbsp;$status_saklar1 &nbsp;&nbsp;&nbsp;</i>&nbsp;&nbsp;&nbsp; ";
}
print "</td>\n<td>";

```

Listing Program "periksa.pl"

```
if ($l1 eq 1) {
print "---> Status LOAD 1 =&nbsp;$status1 &nbsp;\n";
}
if ($l1 ne 1) {
print "---> Status LOAD 1 =&nbsp;$status1 &nbsp;\n";
}
print "</td>\n<td>";
if ($l1s eq 1) {
print "$huruf_petunjuk (Hilangkan Tanda Checknya untuk mematikan
saklar) $end_color1";
}
if (($l1s ne 1) && ($l1 ne 1)) {
print "$huruf_petunjuk (Beri tanda Check untuk menghidupkan saklar)
$end_color1";
}
print "</td>";
print "</tr>\n<tr>";

print "<td>";
if ($l2s eq 1) {
print "<p><i><input type=checkbox name=switch2 value=on
checked>Status Saklar 2 =&nbsp;$status_saklar2 &nbsp;</i>&nbsp; ";
}
if ($l2s ne 1) {
print "<p><i><input type=checkbox name=switch2 value=on>Status Saklar
2 =&nbsp;$status_saklar2 &nbsp;</i>&nbsp; ";
}
print "</td>\n<td>";
if ($l2 eq 1) {
print "---> Status LOAD 2 =&nbsp;$status2 &nbsp;\n";
}
if ($l2 ne 1) {
print "---> Status LOAD 2 =&nbsp;$status2 &nbsp;\n";
}
print "</td>\n<td>";
if ($l2s eq 1) {
print "$huruf_petunjuk (Hilangkan Tanda Checknya untuk mematikan
saklar) $end_color1";
}
if (($l2s ne 1) && ($l2 ne 1)) {
print "$huruf_petunjuk (Beri tanda Check untuk menghidupkan saklar)
$end_color1";
}
print "</td>";
print "</tr>\n<tr>";

print "<td>";
if ($l3s eq 1) {
print "<p><i><input type=checkbox name=switch3 value=on
checked>Status Saklar 3 =&nbsp;$status_saklar3 &nbsp;</i>&nbsp; ";
}
if ($l3s ne 1) {
print "<p><i><input type=checkbox name=switch3 value=on>Status Saklar
3 =&nbsp;$status_saklar3 &nbsp;</i>&nbsp; ";
}
print "</td>\n<td>";
if ($l3 eq 1) {
print "---> Status LOAD 3 =&nbsp;$status3 &nbsp;\n";
}
if ($l3 ne 1) {
print "---> Status LOAD 3 =&nbsp;$status3 &nbsp;\n";
}
```

Listing Program "periksa.pl"

```

}
print "</td>\n<td>";
if ($l3s eq 1) {
print "$huruf_petunjuk (Hilangkan Tanda Checknya untuk mematikan
saklar) $end_color1";
}
if (($l3s ne 1) && ($l3 ne 1)) {
print "$huruf_petunjuk (Beri tanda Check untuk menghidupkan saklar)
$end_color1";
}
print "</td>";
print "</tr>\n<tr>";

print "<td>";
if ($l4s eq 1) {
print "<p><i><input type=checkbox name=switch4 value=on
checked>Status Saklar 4 =&nbsp;$status_saklar4 &nbsp;</i>&nbsp;  ";
}
if ($l4s ne 1) {
print "<p><i><input type=checkbox name=switch4 value=on>Status Saklar
4 =&nbsp;$status_saklar4 &nbsp;</i>&nbsp;  ";
}
print "</td>\n<td>";
if ($l4 eq 1) {
print "---> Status LOAD 4 =&nbsp;$status4 &nbsp;&nbsp;\n";
}
if ($l4 ne 1) {
print "---> Status LOAD 4 =&nbsp;$status4 &nbsp;&nbsp;\n";
}
print "</td>\n<td>";
if ($l4s eq 1) {
print "$huruf_petunjuk (Hilangkan Tanda Checknya untuk mematikan
saklar) $end_color1";
}
if (($l4s ne 1) && ($l4 ne 1)) {
print "$huruf_petunjuk (Beri tanda Check untuk menghidupkan saklar)
$end_color1";
}
print "</td>";
print "</tr>\n<tr>";

print "<td>";
if ($l5s eq 1) {
print "<p><i><input type=checkbox name=switch5 value=on
checked>Status Saklar 5 =&nbsp;$status_saklar5 &nbsp;</i>&nbsp;  ";
}
if ($l5s ne 1) {
print "<p><i><input type=checkbox name=switch5 value=on>Status Saklar
5 =&nbsp;$status_saklar5 &nbsp;</i>&nbsp;  ";
}
print "</td>\n<td>";
if ($l5 eq 1) {
print "---> Status LOAD 5 =&nbsp;$status5 &nbsp;&nbsp;\n";
}
if ($l5 ne 1) {
print "---> Status LOAD 5 =&nbsp;$status5 &nbsp;&nbsp;\n";
}
print "</td>\n<td>";
if ($l5s eq 1) {
print "$huruf_petunjuk (Hilangkan Tanda Checknya untuk mematikan
saklar) $end_color1";
}

```


Listing Program "periksa.pl"

```
}
if (($15s ne 1) && ($15 ne 1)) {
print "$shuruf_petunjuk (Beri tanda Check untuk menghidupkan saklar)
$send_color1";
}
print "</td>";
print "</tr>\n";
###-----

print <<ETULIS;
</table>
<input type=hidden name=username value=$username>
<input type=hidden name=password value=$password>

  <p><center><input type="submit" value="Submit" name="B1"><input
type="reset" value="Reset"
  name="B2"></center></p>
</form>
<p>
<center>
<font face=arial size=3 color=blue><b>Pengendalian Peralatan
Elektronik Melalui Internet<br>
Berbasis Web</b><p>
Oleh : Setiawan<br>
NRP : 5103094040<br>
E-mail : <a
href="mailto:andi\@mail.wima.ac.id">andi\@mail.wima.ac.id</a><br>
</font><p>
<font face="arial" size="2">Copyright 2000 Setiawan <a
href="http://www.wima.ac.id" target="_blank">Widya Mandala
Surabaya</a>, Allright Reserved.</font>
</center>

</body>
</html>

ETULIS
##### Akhir HTML #####
#####

#### Kumpulan Sub #####
sub readparam {

  if ( ($ENV{'REQUEST_METHOD'} eq 'POST') || ($ENV{'REQUEST_METHOD'}
eq 'post') ) {
    read(STDIN, $buffer, $ENV{'CONTENT_LENGTH'});          #read for
POST method to $buffer
    @cgiPairs = split(/\&/,$buffer);
  }
  else {
    #get the pairs of parameters passed to the script      for GET
method
    @cgiPairs = split(/\&/,$ENV{'QUERY_STRING'});
```

```

}

#split the pairs into a %cgiVals hash
foreach $pair ( @cgiPairs ) {
    ($var,$val) = split("=", $pair);
    $val =~ s/\+/ /g;
    $val =~ s/%(..)/pack("c",hex($1))/ge;
    $var =~ s/\+/ /g;
    $var =~ s/%(..)/pack("c",hex($1))/ge;
    $cgiVals{"$var"} = "$val";
}
} ### akhir dari readparam

sub tanggal {

@days = ('001','002','003','004','005','006','007');
@months = ('1','2','3','4','5','6','7','8','9',
           '10','11','12');

($sec, $min, $hour, $mday, $mon, $year, $wday, $yday, $isdst) =
localtime(time);

if ($isdst eq "1") { $time_diff = ($yourtime - $zone - 1); }
else { $time_diff = ($yourtime - $zone) };

$time_diff = $time_diff * 3600;

($sec, $min, $hour, $mday, $mon, $year, $wday, $yday, $isdst) =
localtime(time + $time_diff);
if ($min < 10) { $min = "0$min"; }
if ($sec < 10) { $sec = "0$sec"; }

if ($format == 12) {
    if ($hour == 12) { $state = "pm"; }
    else { $state = "am"; }

    if ($hour == 0) {
        $hour = $hour + 12;
        $state = "am";
    }

    if ($hour > 12) {
        $hour = $hour - 12;
        $state = "pm";
    }
}

# rectify Y2K problem
$year += 1900;

if ($mode == 1) { $time = "$hour:$min:$sec$state"; }
else { $time = "$hour:$min$state"; }
$date = "$mday-$months[$mon]-$year [$time]";
#print "$date\n";

} ## akhir dari sub tanggal

```

```

##
## Program untuk konfirmasi sebelum pilihan sebenarnya
##

$curl_script1="http://warik.wima.ac.id/cgi-sh1/finish.pl";

# Get the input
read(STDIN, $buffer, $ENV{'CONTENT_LENGTH'});

# Split the name-value pairs
@pairs = split(/&/, $buffer);

foreach $pair (@pairs) {
    ($name, $value) = split(/=/, $pair);
    # Un-Webify plus signs and %-encoding
    $value =~ tr/+// /;
    $value =~ s/%([a-fA-F0-9][a-fA-F0-9])/pack("C", hex($1))/eg;
    $value =~ s/<!--(.\n)*-->//g;
    $value =~ s/<([>]|\n)*>//g;

    $FORM{$name} = $value;
}

# p[n] = pilihan[n]
$p1=$FORM{switch1};
$p2=$FORM{switch2};
$p3=$FORM{switch3};
$p4=$FORM{switch4};
$p5=$FORM{switch5};

$username=$FORM{username};
$password=$FORM{password};

print("Content-Type: text/html\n\n");

#print "p = $p1 , f = $FORM{switch1}";

if (($p5 ne 'on') && ($p4 ne 'on') && ($p3 ne 'on') && ($p2 ne 'on') && ($p1 eq 'on')) { #1
    $tulis='1';
    $l5=0;$l4=0;$l3=0;$l2=0;$l1=1; #1
}
if (($p5 ne 'on') && ($p4 ne 'on') && ($p3 ne 'on') && ($p2 eq 'on') && ($p1 ne 'on')) { #2
    $tulis='2';
    $l5=0;$l4=0;$l3=0;$l2=1;$l1=0; #2
}
if (($p5 ne 'on') && ($p4 ne 'on') && ($p3 ne 'on') && ($p2 eq 'on') && ($p1 eq 'on')) { #3
    $tulis='3';
    $l5=0;$l4=0;$l3=0;$l2=1;$l1=1; #3
}
if (($p5 ne 'on') && ($p4 ne 'on') && ($p3 eq 'on') && ($p2 ne 'on') && ($p1 ne 'on')) { #4
    $tulis='4';
    $l5=0;$l4=0;$l3=1;$l2=0;$l1=0; #4
}

```

Listing Program "pilih.pl"

```
if (($p5 ne 'on') && ($p4 ne 'on') && ($p3 eq 'on') && ($p2 ne 'on') && ($p1 eq
'on')) { #5
    $tulis='5';
    $l5=0;$l4=0;$l3=1;$l2=0;$l1=1; #5
}
if (($p5 ne 'on') && ($p4 ne 'on') && ($p3 eq 'on') && ($p2 eq 'on') && ($p1 ne
'on')) { #6
    $tulis='6';
    $l5=0;$l4=0;$l3=1;$l2=1;$l1=0; #6
}
if (($p5 ne 'on') && ($p4 ne 'on') && ($p3 eq 'on') && ($p2 eq 'on') && ($p1 eq
'on')) { #7
    $tulis='7';
    $l5=0;$l4=0;$l3=1;$l2=1;$l1=1; #7
}
if (($p5 ne 'on') && ($p4 eq 'on') && ($p3 ne 'on') && ($p2 ne 'on') && ($p1 ne
'on')) { #8
    $tulis='8';
    $l5=0;$l4=1;$l3=0;$l2=0;$l1=0; #8
}
if (($p5 ne 'on') && ($p4 eq 'on') && ($p3 ne 'on') && ($p2 ne 'on') && ($p1 eq
'on')) { #9
    $tulis='9';
    $l5=0;$l4=1;$l3=0;$l2=0;$l1=1; #9
}
if (($p5 ne 'on') && ($p4 eq 'on') && ($p3 ne 'on') && ($p2 eq 'on') && ($p1 ne
'on')) { #10
    $tulis='10';
    $l5=0;$l4=1;$l3=0;$l2=1;$l1=0; #10
}
if (($p5 ne 'on') && ($p4 eq 'on') && ($p3 ne 'on') && ($p2 eq 'on') && ($p1 eq
'on')) { #11
    $tulis='11';
    $l5=0;$l4=1;$l3=0;$l2=1;$l1=1; #11
}
if (($p5 ne 'on') && ($p4 eq 'on') && ($p3 eq 'on') && ($p2 ne 'on') && ($p1 ne
'on')) { #12
    $tulis='12';
    $l5=0;$l4=1;$l3=1;$l2=0;$l1=0; #12
}
if (($p5 ne 'on') && ($p4 eq 'on') && ($p3 eq 'on') && ($p2 ne 'on') && ($p1 eq
'on')) { #13
    $tulis='13';
    $l5=0;$l4=1;$l3=1;$l2=0;$l1=1; #13
}
if (($p5 ne 'on') && ($p4 eq 'on') && ($p3 eq 'on') && ($p2 eq 'on') && ($p1 ne
'on')) { #14
    $tulis='14';
    $l5=0;$l4=1;$l3=1;$l2=1;$l1=0; #14
}
if (($p5 ne 'on') && ($p4 eq 'on') && ($p3 eq 'on') && ($p2 eq 'on') && ($p1 eq
'on')) { #15
    $tulis='15';
    $l5=0;$l4=1;$l3=1;$l2=1;$l1=1; #15
}
if (($p5 eq 'on') && ($p4 ne 'on') && ($p3 ne 'on') && ($p2 ne 'on') && ($p1 ne
'on')) { #16
```

Listing Program "pilih.pl"

```
$tulis='16';
$15=1;$14=0;$13=0;$12=0;$11=0; #16
}
if (($p5 eq 'on') && ($p4 ne 'on') && ($p3 ne 'on') && ($p2 ne 'on') && ($p1 eq
'on')) { #17
    $tulis='17';
    $15=1;$14=0;$13=0;$12=0;$11=1; #17
}
if (($p5 eq 'on') && ($p4 ne 'on') && ($p3 ne 'on') && ($p2 eq 'on') && ($p1 ne
'on')) { #18
    $tulis='18';
    $15=1;$14=0;$13=0;$12=1;$11=0; #18
}
if (($p5 eq 'on') && ($p4 ne 'on') && ($p3 ne 'on') && ($p2 eq 'on') && ($p1 eq
'on')) { #19
    $tulis='19';
    $15=1;$14=0;$13=0;$12=1;$11=1; #19
}
if (($p5 eq 'on') && ($p4 ne 'on') && ($p3 eq 'on') && ($p2 ne 'on') && ($p1 ne
'on')) { #20
    $tulis='20';
    $15=1;$14=0;$13=1;$12=0;$11=0; #20
}
if (($p5 eq 'on') && ($p4 ne 'on') && ($p3 eq 'on') && ($p2 ne 'on') && ($p1 eq
'on')) { #21
    $tulis='21';
    $15=1;$14=0;$13=1;$12=0;$11=1; #21
}
if (($p5 eq 'on') && ($p4 ne 'on') && ($p3 eq 'on') && ($p2 eq 'on') && ($p1 ne
'on')) { #22
    $tulis='22';
    $15=1;$14=0;$13=1;$12=1;$11=0; #22
}
if (($p5 eq 'on') && ($p4 ne 'on') && ($p3 eq 'on') && ($p2 eq 'on') && ($p1 eq
'on')) { #23
    $tulis='23';
    $15=1;$14=0;$13=1;$12=1;$11=1; #23
}
if (($p5 eq 'on') && ($p4 eq 'on') && ($p3 ne 'on') && ($p2 ne 'on') && ($p1 ne
'on')) { #24
    $tulis='24';
    $15=1;$14=1;$13=0;$12=0;$11=0; #24
}
if (($p5 eq 'on') && ($p4 eq 'on') && ($p3 ne 'on') && ($p2 ne 'on') && ($p1 eq
'on')) { #25
    $tulis='25';
    $15=1;$14=1;$13=0;$12=0;$11=1; #25
}
if (($p5 eq 'on') && ($p4 eq 'on') && ($p3 ne 'on') && ($p2 eq 'on') && ($p1 ne
'on')) { #26
    $tulis='26';
    $15=1;$14=1;$13=0;$12=1;$11=0; #26
}
if (($p5 eq 'on') && ($p4 eq 'on') && ($p3 ne 'on') && ($p2 eq 'on') && ($p1 eq
'on')) { #27
    $tulis='27';
    $15=1;$14=1;$13=0;$12=1;$11=1; #27
}
```

```

}
if (($p5 eq 'on') && ($p4 eq 'on') && ($p3 eq 'on') && ($p2 ne 'on') && ($p1 ne
'on')) { #28
    $tulis='28';
    $l5=1;$l4=1;$l3=1;$l2=0;$l1=0; #28
}
if (($p5 eq 'on') && ($p4 eq 'on') && ($p3 eq 'on') && ($p2 ne 'on') && ($p1 eq
'on')) { #29
    $tulis='29';
    $l5=1;$l4=1;$l3=1;$l2=0;$l1=1; #29
}
if (($p5 eq 'on') && ($p4 eq 'on') && ($p3 eq 'on') && ($p2 eq 'on') && ($p1 ne
'on')) { #30
    $tulis='30';
    $l5=1;$l4=1;$l3=1;$l2=1;$l1=0; #30
}
if (($p5 eq 'on') && ($p4 eq 'on') && ($p3 eq 'on') && ($p2 eq 'on') && ($p1 eq
'on')) { #31
    $tulis='31';
    $l5=1;$l4=1;$l3=1;$l2=1;$l1=1; #31
}

### jika semua pilihan diatas tidak ada
if (($p5 ne 'on') && ($p4 ne 'on') && ($p3 ne 'on') && ($p2 ne 'on') && ($p1 ne
'on')) { #31
    $tulis='0';
    $l5=0;$l4=0;$l3=0;$l2=0;$l1=0; #0
}

$color1="";
$end_color1="</font>";
$tanda_hidup="$color1<b>Hidup</b> $end_color1";
$tanda_mati="<b>Mati</b>";

if ($l1 eq 1) {
    $status1="$tanda_hidup";
    $sels1="1"; # tanda untuk pilihan selain else
}
if ($l2 eq 1) {
    $status2="$tanda_hidup";
    $sels1="1"; # tanda untuk pilihan selain else
}
if ($l3 eq 1) {
    $status3="$tanda_hidup";
    $sels1="1"; # tanda untuk pilihan selain else
}
if ($l4 eq 1) {
    $status4="$tanda_hidup";
    $sels1="1"; # tanda untuk pilihan selain else
}
if ($l5 eq 1) {
    $status5="$tanda_hidup";
    $sels1="1"; # tanda untuk pilihan selain else
}

if ($l1 ne 1) {

```



```
<p><input type="submit" value="Submit" name="B1"><input type="reset"
value="Reset"
name="B2"></p>
</form>

<p>&nbsp;</p>

<p>&nbsp;</p>
</body>
</html>
```

ETULIS

Listing Program "finish.pl"

```

##
## Program akhir
##

$lokasi_data="/data/hidup";
#$alamat_url_awal="http://warik.wima.ac.id/pilih2.htm";
$alamat_url_awal="http://warik.wima.ac.id/cgi-shl/periksa.pl";
$alamat_url_periksa="http://warik.wima.ac.id/cgi-shl/periksa.pl";

# Get the input
read(STDIN, $buffer, $ENV{'CONTENT_LENGTH'});

# Split the name-value pairs
@pairs = split(/&/, $buffer);

foreach $pair (@pairs) {
    ($name, $value) = split(/=/, $pair);
    # Un-Webify plus signs and %-encoding
    $value =~ tr/+// ;
    $value =~ s/%([a-fA-F0-9][a-fA-F0-9])/pack("C", hex($1))/eg;
    $value =~ s/!-(.|\\n)*-->//g;
    $value =~ s/<([>]|\\n)*>//g;

    $FORM{$name} = $value;
}

# p[n] = pilihan[n]
$konf=$FORM{konf};
$desimal=$FORM{desimal};

$username=$FORM{username};
$password=$FORM{password};

print("Content-Type: text/html\\n\\n");
#print "konf = $konf <br>";
#print "des = $desimal";

if ($konf eq 'tidak') {
print <<ETULIS;

<html><head> <META HTTP-EQUIV="refresh" CONTENT="1;
URL=http://warik.wima.ac.id/cgi-
shl/periksa.pl?hi=qwoeriuter126adsf33218&uN=$username&aM=$password">
</head><body bgcolor="#ffffff">
<table align=center width=700><tr><td
height=100>&nbsp;</td></tr><tr><td>
<font face=arial size=4><b>Anda tidak melakukan perubahan pada
SAKLAR<br>Please wait, this page going to be redirect you to Main
page.</font><p>
<a href="http://warik.wima.ac.id/cgi-
shl/periksa.pl?hi=qwoeriuter126adsf33218&uN=$username&aM=$password">P
lease click here if your browser can not redirect you to Main page
after serveral minutes</a>
</b></font>
</td></tr></table></body></html>

ETULIS
    exit;

```


Listing Program "periksa.pas"

```
uses crt;
  const pa=$300;
        pb=$301;
        pc=$302;
        pcw=$303;
        cw=$90;

  var i,p,q,r,s : byte;
      t : char;
      F : text;

{program utama}
begin
  clrscr;

  i:=port[pa];
  writeln('harga i = ',i);

  Assign(F, '\data\periksa.dat'); { Standard output }
  Rewrite(F);
  Writeln(F, i);
  Close(F);

end.
```

Listing Program "jadi.pas"

```
uses crt;
  const pa=$300;
        pb=$301;
        pc=$302;
        pcw=$303;
        cw=$90;

  var i,p,q,r,s,hasil_baca : byte;
      t : char;
      F : text;

{procedure untuk membaca input}
procedure baca;
begin
  clrscr;
  Assign(F, '\data\hidup'); { Standard output }
  Reset(F);
  readln(F, hasil_baca);
  Close(F);
end; {akhir dari procedure baca}

{program utama}
begin
  clrscr;
  port[pcw]:=cw;

  baca; {menjalankan procedure baca}
  port[pc]:=hasil_baca;

end.
```