



YAYASAN WIDYA MANDALA SURABAYA
UNIVERSITAS KATOLIK WIDYA MANDALA SURABAYA

Jl. Dinoyo 42-44 Telp. (031) 5678478, 5682211 Fax. 5610818 Surabaya 60265
Website : <http://www.wima.ac.id> Email : pr-office@ukwms.ac.id

SURAT TUGAS

Nomor : 1071/WM01/N/2016

Pimpinan Universitas Katolik Widya Mandala Surabaya dengan ini menugaskan :

Nama : D.N. Dian Retno Sari Dewi P. , ST., MT.
NIK : 531.97.0298
Jabatan : Dosen Fakultas Teknik
Universitas Katolik Widya Mandala Surabaya
Tugas : Sebagai Peserta dalam "3rd International Conference on Industrial Engineering, Management Science and Application 2016" dengan judul "An Integrated QFD and Kano's Model to Determine the Optimal Target Specification"
Waktu : 23 – 26 Mei 2016
Tempat : Jeju Island, South Korea
Lain-lain : Biaya diambilkan dari anggaran Fakultas Teknik tahun 2015/2016 dengan kode anggaran 601.02.2233

Demikian Surat Tugas ini diterbitkan, harap dilaksanakan dengan sebaik-baiknya dan memberikan laporan setelah selesai melaksanakan tugas.

23 Maret 2016

a.n. Rektor
Wakil Rektor I,



[Handwritten Signature]
Drs. Y.G. Harto Pramono, Ph.D.
NIK. 121.86.0119

TINDASAN :

- Dekan Fakultas Teknik
- Kepala BAU



Certificate of Oral Presentation

Presented to

Dian Dewi

*International Conference on Industrial Engineering, Management Science
and Applications 2016
May 23rd-26th, 2016, South Korea*

A stylized, handwritten signature in black ink.

HyeunCheol Kim

A handwritten signature in black ink.

Nikolai Joukov

A handwritten signature in black ink.

Sangmin Park

Institute of Creative Advanced Technologies, Science and Engineering (ICATSE)

ICIMSA 2016

International Conference on Industrial Engineering,
Management Science and Applications 2016

May 23rd to May 26th, 2016
Jeju Island, Korea

Technically co-sponsored by



CHANGWON SECTION



2016 International Conference on Industrial Engineering, Management Science and Application (ICIMSA)

**Jeju Island, Korea
23 – 26 May 2016**



IEEE Catalog Number: CFP16XAD-ART (Xplore)
ISBN: 978-1-5090-1671-6 (Xplore)

2016 International Conference on Industrial Engineering, Management Science and Application (ICIMSA)

**Copyright © 2016 by the Institute of Electrical and Electronic Engineers, Inc.
All rights reserved.**

Copyright and Reprint Permissions

Abstracting is permitted with credit to the source. Libraries are permitted to photocopy beyond the limit of U.S. copyright law for private use of patrons those articles in this volume that carry a code at the bottom of the first page, provided the per-copy fee indicated in the code is paid through Copyright Clearance Center, 222 Rosewood Drive, Danvers, MA 01923.

For other copying, reprint or republication permission, write to IEEE Copyrights Manager, IEEE Service Center, 445 Hoes Lane, Piscataway, NJ 08854. All rights reserved.

IEEE Catalog Number: CFP16XAD-ART
ISBN: 978-1-5090-1671-6

Printed copies of this publication are available from:

Curran Associates, Inc
57 Morehouse Lane
Red Hook, NY 12571 USA
Phone: (845) 758-0400
Fax: (845) 758-2633
E-mail: curran@proceedings.com

Produced by IEEE eXpress Conference Publishing

For information on producing a conference proceedings and receiving an estimate, contact conferencepublishing@ieee.org
<http://www.ieee.org/conferencepublishing>

Welcome Message from our General Chairs

Welcome to the International Conference on Industrial Engineering, Management Science and Applications 2016 in Jeju on behalf of the conference committee, we would like to convey our appreciation to all authors for participating and contributing their valuable works to make this conference great. It is our great honor to welcome you and wish you both, professional success at ICIMSA, and a great time in the beautiful city of Jeju

ICIMSA 2016 aimed to discover a new progressive technology by enhancing the previous technologies and to solve the technical problems that may have occurred in the process of merging technology in various fields of industry.

At ICIMSA 2016, IT experts, researchers and practitioners from each field have been invited to share ideas and research technologies. Moreover they will be encouraged to cooperate with each other to overcome the confronted technical problems. As a result, this conference will become a place of knowledge with a variety of effects created on every field related to industrial engineering, management science and applications.

The conference seeks contributions presenting novel research results in all aspects of industrial engineering, management science and applications. Submitted papers have been reviewed by our Program Committee Members and Reviewers The accepted papers will be published by IEEE and will be submitted to be indexed by EI, ISI and Scopus. We would like to thank all organizers, supporters, and organizing committee members who are listed in the following pages. Each reviewers has reviewed at least four papers, while each paper has been reviewed by at least three international reviewers. Our success would not have been possible without their support and contribution, as we strongly believe their collaboration and support was invaluable to making this International Conference fruitful and insightful. Lastly, we would be greatly honored and pleased to have your continued contributions in future ICIMSA.

With warm regards,

Sangmin Park, Incheon National University
Xiaoxia Huang, University of Science and Technology Beijing, China
Nikolai Joukov, New York University and modelizeIT Inc , USA

Organizing Committee

General Chairs

Sangmin Park, Incheon National University

Xiaoxia Huang, University of Science and Technology Beijing, China

Nikolai Joukov, New York University and modelizeIT Inc , USA

Steering Committee

Nikolai Joukov, New York University and modelizeIT Inc , USA

Borko Furht, Florida Atlantic University, USA

Bezalel Gavish, Southern Methodist University, USA

Kin Fun Li, University of Victoria, Canada

Kuinam J. Kim, Kyonggi University, Republic of Korea

Naruemon Wattanapongsakorn, King Mongkut's University of Technology Thonburi, Thailand

Xiaoxia Huang, University of Science and Technology Beijing, China

Dato' Ahmad Mujahid Ahmad Zaidi, National Defence University of Malaysia, Malaysia

Publicity Chairs

Dan (Dong-Seong) Kim, University of Canterbury, New Zealand

Changchao Gu, Sinopec Management Institute, China

Suresh Thanakodi, National Defence University of Malaysia, Malaysia

Workshop Chairs

Donghwi Lee, University of Colorado, USA

Financial Chairs

Kyoungho Choi, Institute of Creative Advanced Technologies, Science and Engineering , Republic of Korea

Program Chairs

Kuinam J. Kim, Kyonggi University, Korea

Organizers & Supporters

The Korean Federation of Science and Technology Societies(KOFST)

Institute of Creative Advanced Technologies, Science and Engineering (iCatse)

Chinese Management Science Society (CMSS)

Korean Industry Security Forum (KISF)

Korea Information Assurance Society (KIAS)

Kyonggi University, Republic of Korea

Chonnam National University, Republic of Korea

University of Science and Technology Beijing, China

King Mongkut's University of Technology Thonburi, Thailand

River Publishers, netherlands

IEEE Changwon Section

Program Committee

Ana Paula Ferreira Barroso, UNIDEMI, Portugal
Andreas Dewald, University of Erlangen, Germany
Andrew Kusiak, Department of Mechanical and Industrial Engineering, USA
Ankur Gupta, Model Institute of Engineering and Technology, India
António Carlos da Silva Abelha, University of Minho, Portugal
António Grilo, UNIDEMI, Portugal
Baghdadi, Youcef, Sultan Qaboos University, Oman
Camacho, Sonia, McMaster University, Canada
Carlos Alberto Lourenço dos Santos, University of Aveiro, Portugal
Catalina Lucía Alberto, UNIVERSIDAD NACIONAL DE CÓRDOBA, ARGENTINA
Chin-Yuan, Fan National Applied Research Laboratories Science&Technology Policy Research and Information Center, Taiwan
Cláudio Alves, Universidade de Minho, Portugal
Cruz-Benito, Juan, Instituto Universitario de Ciencias de la Educación, España
DANG Thanh Tin, Ho Chi Minh city University of Technology, Viet Nam
El-Houssaine AGHEZZAF Ghent University, Belgium
Elias, Micheline, Ecole Centrale Paris, SAP Academic Chair on Business Intelligence New York, USA
Fatemeh Almasi, Amirkabir University of Technology, Iran
Haeil Ahn, Seokyeong University, Republic of Korea
Hailiang YANG, The University of Hong Kong, Hong Kong
HAO Gang, University of Hong Kong, Hong Kong
Hardeep Singh, FEROPUR COLLEGE OF ENGINEERING TECHNOLOGY (FCET) / PUNJAB TECHNICAL UNIVERSITY INDIA, India
Hefu Liu, University of Science and Technology of China, China
HEMA ZULAIKA HASHIM, Universiti Teknologi MARA, Malaysia
Ilias Santouridis, Technological Educational Institute (TEI) of Thessaly, Greece
Isabel Maria Correia Cruz, Universidade de Coimbra, Portugal
Jae Kyung (JK) Woo, University of Hong Kong, Hong Kong
José Machado, University of Minho, Portugal
Justin Varghese, King Khalid University Abha, KSA
Kaba, Abdoulaye, Al Ain University of Science and Technology, UAE
kadry, seifedine, American University of the Middle East, KUWAIT
Kamran Behdinin, University of Toronto, Canada
Leszek A. Maciaszek, Wroclaw University of Economics, Poland and Macquarie University, Sydney Australia
M. Nasiruddin Munshi, University of Dhaka, Bangladesh
Manuel Filipe Vieira Torres dos Santos, Algoritmi Research Centre / University of Minho, Portugal
Marco Aiello, University of Groningen, The Netherlands
Marco Anisetti, Università degli Studi di Milano, Italy
Meng-Shan Tsai, National Kaohsiung Normal University, Taiwan
Mikhail M. Komarov, National Research University Higher School of Economics, Russia
MOHD. SHOKI MD. ARIFF, UNIVERSITI TEKNOLOGI MALAYSIA, Malaysia
Mohsen Abdelnaein Hassan Mohamed, Assiut University, Egypt

Paweł Błaszczuk, University of Silesia, Poland
Ramayah Thurasamy, Universiti Sains Malaysia, Malaysia
Reggie Davidrajuh, University of Stavanger, Norway
Rika Ampuh Hadiguna, Andalas University, Indonesia
Rionel Belen Caldo, Lyceum of the Philippines University – Laguna (LPU-L)/De La Salle University (DLSU)
Rui Kang, Beihang University, China
Rui Pedro Figueiredo Marques, University of Aveiro, Portugal
Rusmadiyah Bin Anwar, Universiti Teknologi Malaysia, MALAYSIA
S.Sarifah Radiah Shariff, Universiti Teknologi MARA, Shah Alam Selangor, Malaysia
Sabin-Corneliu Buraga, Alexandru Ioan Cuza' University of Iasi, Romania
Sandeep Grover, YMCA University of Science and Technology, India
Seren OZMEHMET TASAN, Dokuz Eylul University, Turkey
Seyedmohsen Hosseini, University of Oklahoma, USA
Sharul Kamal Abdul Rahim, universiti teknologi malaysia, malaysia
Sheroz Khan, International Islamic University Malaysia, Malaysia
Shimpei Matsumoto, Hiroshima Institute of Technology, Japan
Siana Halim, Petra Christian University Surabaya, Indonesia
Sidi WU, Waseda University, Japan
Sim-Hui Tee, Multimedia University, Malaysia
Simon Collart-Dutilleul, Ifsttar, France
SITI NOOR HAJJAR MD LATIP, Universiti Teknologi MARA, Malaysia
Siti Zulaiha Ahmad, MARA University of Technology Perlis, Malaysia
Supachart Iamratanakul, Kasetsart University, Thailand
Suprakash Gupta, Indian Institute of Technology (BHU), India
Svetlana Maltseva, National Research University, Russia
T. Błaszczuk, University of Economics, Katowice, Poland
Tahira Awan, International Islamic University, Pakistan
Tantikorn Pichpibul, Panyapiwat Institute of Management, Thailand
Xianda Kong, Tokyo Metropolitan University, Japan
Yoshinobu Tamura, Yamaguchi University, Japan
Zety Sharizat Bt Hamidi, Universiti Teknologi MARA, Malaysia

Table of Contents

A Hybrid Fuzzy Multi-Criteria Decision-Making Approach for Mitigating Air Traffic Congestion	1
<i>Miriam F. Bongo and Larndon A. Ocampo</i>	
Constrained Maximization of Social Welfare with Fiscal Transfer Scheme	6
<i>Shinji Suzuki and Takehiro Inohara</i>	
Modelling Commercial Framework of the Strategic Elementary Design Concept	11
<i>Mohd Shaleh Mujir, Norashikin Hasan and Oskar Hasdinor Hassan</i>	
A Service-Oriented Cloud Application for a Collaborative Tool Management System	15
<i>Marcus Röschinger, Orthodoxos Kipouridis and Willibald A. Günthner</i>	
Automated Documentation for Rapid Prototyping	20
<i>Napajorn Wattanagul and Yachai Limpiyakorn</i>	
Generation of Images of WND Equivalent from HTML Prototypes	24
<i>Ekarat Prompila and Yachai Limpiyakorn</i>	
Voice Recognition Using k Nearest Neighbor and Double Distance Method	29
<i>Ranny</i>	
Intelligent Robot's Behavior Based on Fuzzy Control System	34
<i>Eva Volna, Martin Kotyrba and Michal Jaluvka</i>	
Effects of Required Coefficient of Friction for Female in Different Gait	39
<i>Yu Ting Chen, Kai Way Li and Yi Yang Chen</i>	
An Application of Statistical Modeling for Classification of Human Motor Skill Level	43
<i>Wenqi Ma and David B. Kaber</i>	
Analysis of Vehicle Crash Injury-Severity in a Superhighway: A Markovian Approach	48
<i>John Carlo F. Marquez, Darwin Joseph B. Ronquillo, Noime B. Fernandez and Venusmar C. Quevedo</i>	
Assessing Participation in Decision-Making among Employees in the Manufacturing Industry	53
<i>Shiau Wei Chan, Abdul Razak Omar, R. Ramlan, Izzuddin Zaman, Siti Sarah Omar and Khan Horng Lim</i>	
Estimation of Response Surface Based on Central Composite Design Using Spatial Prediction	58
<i>Haeil Ahn</i>	
Reducing Operational Downtime in Service Processes: A Six Sigma Case Study	63
<i>Raid Al-Aomar, Saeed Aljeneibi and Shereen Almazroui</i>	
Ownership Structure, Internal Control and Real Activity Earnings Management	68
<i>Xiao Wang, Jie Gao, Chunling Shang and Qiang Lu</i>	
Sustained Quality Award Status in Developing Country: A Study on the Dubai Quality Award Recipients ...72	
<i>M. Doulatbadi and S. M. Yusof</i>	

Software Reliability Model Selection Based on Deep Learning	77
<i>Yoshinobu Tamura, Mitsuho Matsumoto and Shigeru Yamada</i>	
A Comprehensive Analysis Method for System Resilience Considering Plasticity	82
<i>Yanbo Zhang, Rui Kang, Ruiying Li and Chenxuan Yang</i>	
Reliability and Failure Behavior Model of Optoelectronic Devices	86
<i>Ning Tang, Ying Chen and ZengHui Yuan</i>	
Optimal Replacement Policy Based on Cumulative Damage for a Two-Unit System	91
<i>Shey-Huei Sheu, Zhe-George Zhang, Tzu-Hsin Liu and Hsin-Nan Tsai</i>	
Method Construction for Risk Factors Identification of Public Hospital Operation	94
<i>Shirui Peng, Guofeng Su, Jianguo Chen and Zhiru Wang</i>	
A Study on Device Security in IoT Convergence	99
<i>Hyun-Jin Kim, Hyun-Soo Chang, Jeong-Jun Suh and Tae-shik Shon</i>	
Design of Arc Fault Pressure and Temperature Detectors in Low Voltage Switchboard	103
<i>Lee Choo Kuan and Ahmad Azri Sa'adon</i>	
Performance Evaluation of Discrete-Time Hedging Strategies for European Contingent Claims	107
<i>Easwar Subramanian, Vijaysekhar Chellaboina and Arihant Jain</i>	
Explicit Solutions of Discrete-Time Hedging Strategies for Multi-Asset Options	112
<i>Easwar Subramanian, Vijaysekhar Chellaboina and Arihant Jain</i>	
Optimal Static Hedging of Uncertain Future Foreign Currency Cash Flows Using FX Forwards	117
<i>Anil Bhatia and Sanjay P. Bhat</i>	
A Neural Network Approach to the Operational Strategic Determinants of market Value in High-Tech Oriented SMEs	122
<i>Jooh Lee and He-Boong Kwon</i>	
Green Banking: A Proposed Model for Green Housing Loan	126
<i>Alexander V. Gutierrez</i>	
A Feasibility Study and Design of Biogas Plant via Improvement of Waste Management and Treatment in Ateneo de Manila University	130
<i>S. Granada, R. Preto, T. Perez, C. Oppus, G. Tangonan and P. M. Cabacungan</i>	
Effective Data Collection and Analysis of Solar Radio Burst Type II Event Using Automated CALLISTO Network System	133
<i>N. H. Zainol, S. N. U. Sabri, Z. S. Hamidi, M. O. Ali, N. N. M. Shariff, Nurulhazwani Husien, C. Monstein and M. S. Faid</i>	
The Dependence of Log Periodic Dipole Antenna (LPDA) and e-CALLISTO Software to Determine the Type of Solar Radio Burst (I -V)	138
<i>S. N. U. Sabri, N. H. Zainol, M. O. Ali, N. N. M. Shariff, NurulHazwani Hussien, M. S. Faid, Z. S. Hamidi and C. Monstein</i>	

Monitoring the Level of Light Pollution and Its Impact on Astronomical Bodies Naked-Eye Visibility Range in Selected Areas in Malaysia Using the Sky Quality Meter	143
<i>M. S. Faid, Nurulhazwani Husien, N. N. M. Shariff, M. O. Ali, Z. S. Hamidi, N. H. Zainol and S. N. U. Sabri</i>	
Solar Radio Bursts Detected by CALLISTO System and Their Related Events	148
<i>Nurulhazwani Husien, N. H. Zainol, Z. S. Hamidi, S. N. U. Sabri, N. N. M. Shariff, M. S. Faid, M. O. Ali and C. Monstein</i>	
Simulation Modeling of Sewing Process for Evaluation of Production Schedule in Smart Factory	153
<i>Sooyoung Moon, Sungjoo Kang, Jaeho Jeon and Ingeol Chun</i>	
A Knowledge Management Framework for Studying the Child Obesity	156
<i>Raslapat Suteeca and Prompong Sugunnasil</i>	
Hybrid Clustering System Applied in Patent Quality Management - Take Intelligent Car Industry for Example	160
<i>Chin-Yuan Fan and Shu-Hao Chang</i>	
An Integrated QFD and Kano's Model to Determine the Optimal Target Specification	165
<i>Dian Retno Sari Dewi and Dini Endah Setyo Rahaju</i>	
A Simultaneous Integrated Model with Multiobjective for Continuous Berth Allocation and Quay Crane Scheduling Problem	170
<i>Nurhidayu Idris and Zaitul Marlizawati Zainuddin</i>	
A Multi Objective Mixed Integer Programming Approach for Sustainable Production System	175
<i>Ma. Teodora E. Gutierrez</i>	
The Determining Factors in Prescribing Anti-Hypertensive Drugs to First-Ever Ischemic Stroke Patients ..	178
<i>Rasvini Rajendran and Zaitul Marlizawati Zaimuddin</i>	
Location Routing Inventory Problem with Transshipment Points Using p-Center	183
<i>S. Sarifah Radiah Shariff, Mohd Omar and Noor Hasnah Moin</i>	
Optimal Worker Assignment under Limited-Cycled Model with Multiple Periods - Consecutive Delay Times is Limited	188
<i>Xianda Kong, Hisashi Yamamoto and Shiro Masuda</i>	
Method for an Energy-Cost-Oriented Manufacturing Control to Reduce Energy Costs: Energy Cost Reduction by Using a New Sequencing Method	193
<i>Stefan Willeke, Georg Ullmann and Peter Nyhuis</i>	
Economic Production Quantity with Imperfect Quality, Imperfect Inspections, Sales Return, and Allowable Shortages	198
<i>Muhammad Al-Salamah</i>	
Analysis and Prediction Cost of Manufacturing Process Based on Process Mining	206
<i>Thi Bich Hong Tu and Minseok Song</i>	
Application of TPM in Production Process of Aluminium Stranded Conductors	211
<i>Orapadee Joochim and Jumnonng Meekaew</i>	

'Creating Awareness on Light Pollution' (CALP) Project: Essential Requirement for School-University Collaboration	216
<i>N. N. M. Shariff, M. R. Osman, M. S. Faid, Z. S. Hamidi, S. Sabri, N. H. Zainol, M. O. Ali and N. Husien</i>	
Signal Detection of the Solar Radio Burst Type III Based on the CALLISTO System Project Management	220
<i>Z. S. Hamidi, N. H. Zainol, M. O. Ali, S. N. U. Sabri, N. N. M. Shariff, M. S. Faid, Nurulhazwani Husien and C. Monstein</i>	
A Risk Management Approach for Collaborative NPD Project	224
<i>Ioana Filipas Deniaud, François Marmier, Didier Gourc and Sophie Bougaret</i>	
e-CALLISTO Network System and the Observation of Structure of Solar Radio Burst Type III	229
<i>M. O. Ali, S. N. U. Sabri, Z. S. Hamidi, Nurulhazwani Husien, N. N. M. Shariff, N. H. Zainol, M. S. Faid and C. Monstein</i>	
Use of Earned Value Management in the UAE Construction Industry	234
<i>Mohamed Morad and Sameh M. El-Sayegh</i>	
Significant Factors Affecting the Size and Structure of Project Organizations	238
<i>Sameh M. El-Sayegh, Mustafa Kashif, Mohammed Al Sharqawi, Nilli Nikoula and Mei Alhimairee</i>	
Real-World Software Projects as Tools for the Improvement of Student Motivation and University-Industry Collaboration	243
<i>Zsolt Csaba Johanyák</i>	
The Impact of Information Technology and the Alignment between Business and Service Innovation Strategy on Service Innovation Performance	247
<i>Fotis Kitsios and Maria Kamariotou</i>	
Optimal Strategies for Escaping from the Middle Income Trap: Automotive Supply Chain in Thailand	252
<i>Kanda Boonsothonsatit and Orapadee Joochim</i>	
The Design of Models for Coconut Oil Supply Chain System Performance Measurement	256
<i>Meilizar, Lisa Nesti and Putranesia Thaha</i>	
Application of Conjoint Analysis in Establishing Aviation Fuel Attributes for Air Travel Industries	262
<i>Karla Ishra S. Bassig and Hazeline A. Silverio</i>	
Internet of Things-Enabled Supply Chain Performance Measurement Model	270
<i>Abdallah Jamal Dweekat and Jinwoo Park</i>	
Forecasting Method under the Introduction of a Day of the Week Index to the Daily Shipping Data of Sanitary Materials	273
<i>Koumei Suzuki, Kazuhiro Takeyasu and Hirotake Yamashita</i>	
Text Mining Analysis on the Questionnaire Investigation for High School Teachers' Work Load	278
<i>Kazuhiro Takeyasu, Tatsuya Oyanagi, Yasuo Ishii and Daisuke Takeyasu</i>	
The Analysis to the Questionnaire Investigation on the Rare Sugars	283
<i>Yuki Higuchi, Kazuhiro Takeyasu and Hiromasa Takeyasu</i>	

Predicting Customer Lifetime Value through Data Mining Technique in a Direct Selling Company	288
<i>Arsie P. Mauricio, John Michael M. Payawal, Maida A. Dela Cueva and Venusmar C. Quevedo</i>	
Knowledge Sharing and the Innovation Capability of Chinese Firms: The Role of Guanxi	293
<i>Oswaldo Jose Jimenez Torres and Dapeng Liang</i>	
Two-Level Hierarchical Routing Based on Road Connectivity in VANETs	298
<i>Zubair Amjad, Wang-Cheol Song and Khi-Jung Ahn</i>	
An Overview of Wax Crystallization, Deposition Mechanism and Effect of Temperature & Shear	303
<i>Azwan Harun, Nik Khairul Irfan Nik Ab Lah, Zulkaflī Hassan and Hazlina Hussin</i>	
Countercyclical Buffer of Basel III and Cyclical Behavior of Palestinian Banks' Capital Resource	308
<i>Ahmed N. K. Alfarra, Xiaofeng Hui, Ehsan Chitsaz and Jaleel Ahmed</i>	
Author Index	313

An Integrated QFD and Kano's Model to Determine the Optimal Target Specifications

Dian Retno Sari Dewi ✓
 Industrial Engineering Department
 Widya Mandala Surabaya Catholic University
 Surabaya, Indonesia
 dianretnosd@yahoo.com

Dini Endah Setyo Rahaju
 Industrial Engineering Department
 Widya Mandala Surabaya Catholic University
 Surabaya, Indonesia

Abstract— *The excellence of Quality Function Deployment (QFD) methodology for translating customer needs into target specifications had been broadly known. However, a number of researches had revealed some methodological flaws. Those stated that QFD did not have a formal methodology to optimally allocate the resource available for product development. QFD also employed subjective technique in assessing the relationship between customer need and engineering characteristics. In addition, QFD implicitly assumed that the fulfillments of customer needs linearly related to customer satisfaction. However, Kano's model notified that the fulfillment of a customer need might have a nonlinear effect to the customer satisfaction. With regard to those issues, this paper presented an optimization model to allocate product development resource. The relationship between engineering characteristics and customer need was assessed using regression technique. Kano's model was integrated in the model to represent the relationship between customer needs and customer satisfaction. The proposed model was then applied to determine the target specifications of wooden single bed frame. The result showed that by using the target specifications obtained, a great customer satisfaction was created.*

Keywords— *customer satisfaction; Kano's model; optimization; product development; Quality Function Deployment*

I. INTRODUCTION

Quality Function Deployment (QFD) is a methodology that has been commonly used to develop product which conforms to customer needs. QFD's structured tool, i.e. House of Quality (HOQ) consists of matrices that have been systematically arranged to help the development team translates customer needs to the corresponding engineering target specifications [1]. Despite of its benefit in maximizing customer satisfaction through better product design, several researches notified that the conventional QFD suffered from some methodological flaws [2,3,4]. According to those researches, the conventional QFD did not provide sufficient formal methodology to the decision

makers. HOQ contained lots of information necessary for the decision making process, yet it did not equip the development team with a formal way to optimally allocate the product development resource to maximize customer satisfaction. Furthermore, in the conventional QFD, the decisions were made based on many subjective assessments. One of those subjective judgments was used in the evaluation of the relationship strength between customer need and engineering characteristics. Dealing with those issues, this paper presents a mathematical model to maximize customer satisfaction by optimally allocating product development resource. The relationship between customer need and engineering characteristics was established by using regression technique.

Moreover, in the conventional QFD, the fulfillment of customer need was considered related linearly to customer satisfaction. The customer satisfaction would increase proportionally to its customer need's importance weight as the customer need met. On the other hand, Kano's model classifies the customer needs into several categories, according to its impact on customer satisfaction [5,6]. One of those categories, namely satisfier, contains customer needs which have linear impact on customer satisfaction when it is met. Though, there also exist customer needs which are classified into attractive category and basic category. Attractive category contains customer needs which have non linear impact on customer satisfaction when met. And the customer needs which have no or insignificant impact on customer satisfaction, even when those are fully met, are included in basic category. In this paper, Kano's model is integrated into the proposed mathematical model to make better representation of the relationship of the customer need fulfillment and customer satisfaction improvement [7,9]. An application of the optimization model for setting the target specifications of wooden single bed frame is also presented.

II. THE PROPOSED OPTIMIZATION MODEL
The proposed mathematical model is presented below.

$$\text{Max } S_p = \left(\sum_j s_j^1 \right) / S_{p_{\max}} \quad (1)$$

The objective function, as written in equation (1) is developed to maximize total customer satisfaction score, which value lies between 0 and 1.

Subject to

$$S_{p_{\max}} = \sum_j s_j^{\max} \quad (2)$$

Total maximum potential contribution of all customer needs ($S_{p_{\max}}$) is considered as the sum of the maximum of all customer need's contributions to customer satisfaction. The maximum of contribution of customer need j is notated as s_j^{\max} and represents a maximum satisfaction score that can be reached by customer need j . For the customer needs that are considered as attractive needs, s_j^{\max} usually gets a relative high score.

$$S_p > S_s \quad (3)$$

In the case of the development team is interested in creating a better product than competitor's, it is necessary to add equation (3). In this way, the product developed will deliver a higher total customer satisfaction score than the competitor's product.

$$x_i^{ncc} = \frac{\{x_i^n - ((U_i + L_i)/2)\}}{(U_i - L_i)/2} \quad \forall j \quad n = 0,1 \quad (4)$$

The engineering characteristic values should be coded using equation (4) to eliminate the effect of different scaling of different engineering characteristics.

$$p_j^n = \beta_0 + \sum_i \beta_{ij} x_i^{ncc} \quad \forall j \quad n = 0,1 \quad (5)$$

In the conventional QFD, relationship strength of customer need j and the engineering characteristics are denoted by using subjective ratings, such as 1, 3, 9. To reduce the subjectivity of the relationship evaluations, the regression technique is applied. The regression function obtained is as in equation (5). β_{ij} represents the relationship strength between engineering characteristics i and customer need j .

$$s_j^1 = s_j^0 \left(\frac{p_j^1}{p_j^0} \right)^{k_j} \quad \forall j$$

$$1 \leq p_j^n \leq 5, 0 < s_j^n \leq 100 \quad n = 0,1 \quad (6)$$

Equation (6) is based on [8] and then was adjusted similar to [9]. For practical reasons, the development team may use 2

for Kano's attractive parameter, 1 for Kano's satisfier parameter, and 0.5 for Kano's basic parameter.

$$\gamma_j \leq p_j^1 \leq 5 (\gamma_j = r_{js}) \quad \forall j \quad (7)$$

γ_j is defined to ensure that the product developed has better performance than competitor's product in meeting customer need j .

$$L_i \leq x_i^n \leq U_i \quad \forall i \quad n = 0,1 \quad (8)$$

For engineering characteristic i , its values lie between upper bound U_i and lower bound L_i .

$$Z_i = |x_i^1 - x_i^0| \quad \forall i \quad (9)$$

The improvement made for engineering characteristics i is presented by using equation (9) while the resource that may limit the specifications improvements are showed by equation (10), (11) and (12).

$$\sum_i (c_{D_i} Z_i + c_{P_i} Z_i) \leq B \quad (10)$$

$$\sum_i t_i Z_i \leq T \quad (\text{if the activities of improvements were carried in series manner}) \quad \text{or} \quad (11)$$

$$\max_i t_i Z_i \leq T \quad (\text{if the activities of improvements were carried in parallel manner}) \quad (12)$$

where:

S_p = total customer satisfaction

$S_{p_{\max}}$ = total maximum potential contribution of customer needs

S_s = competitor's total customer satisfaction score

s_j^0 = initial satisfaction score contributed by customer need j , per 100 units

s_j^1 = satisfaction score gained by meeting the customer need j , per 100 units

s_j^{\max} = maximum contribution of customer need j to customer satisfaction

k_j = Kano's parameter of customer need j

x_i^0 = initial natural value of engineering characteristic i

x_i^{0cc} = initial value of engineering characteristic i , centered and coded

x_i^1 = natural value of target of engineering characteristic i

x_i^{1cc} = centered and coded value of target of engineering characteristic i

L_i = lower bound of engineering characteristic i values

U_i = upper bound of engineering characteristic i values

- β_{ij} = regression parameter
- β_0 = regression constant
- p_j^0 = initial product performance in meeting customer need j
- p_j^1 = current product performance in meeting customer need j
- γ_j = the lowest performance allowed in meeting customer need j
- r_{js} = competitor performance in meeting customer need j
- Z_i = the improvement of engineering characteristic i
- c_{p_i} = production cost needed to make a unit improvement of engineering characteristic i
- c_{D_i} = R&D cost needed to make a unit improvement of engineering characteristic i
- B = the available budget for product development
- t_i = time needed to make a unit improvement of engineering characteristic i
- T = the available time for product development

III. AN ILLUSTRATIVE EXAMPLE

An application of the proposed model is presented in this section. The target specifications of the wooden single bed frame were determined using the optimization model.

Four customer needs were identified during observations and lead user interviews. Those customer needs were: facilitates user's daily activity (CN_1), occupies minimum space (CN_2), sturdy (CN_3), large storage space (CN_4). CN_1 meant that the product should support user's additional activities on bed, such as reading, typing on laptop, and writing. CN_2 meant that the frame needed minimum space when used, CN_3 meant that the frame was not easily broken, while CN_4 meant that customers needed a bed frame that had an additional function as storage space. By using Kano's questionnaire,

those customer needs were classified into several categories. CN_1 was classified into attractive category, CN_2 was a satisfier, CN_3 was a basic, and CN_4 was an attractive.

Next, six related engineering characteristics were identified, i.e. head thickness (EC_1), distance between top of the head and top of the mattress (EC_2), distance between top of the mattress and floor (EC_3), leg cross sectional area (EC_4), slat board width (EC_5), distance between slat boards (EC_6). Figure 1 shows a bed and a bed frame images with the engineering characteristics.

The HOQ of the wooden bed frame is presented by Figure 2. The roof part of the HOQ was not defined, because the proposed model assumes that all engineering characteristics are independent. In this way, the linear regression function can be used to represent the relationship between customer need and engineering characteristics. The relative importance weights of customer needs are the normalized values of the averages of customer needs importance weights data. The importance weights data were collected using a survey. See [10], to get the details of how to do such survey. Three designs of competitor's products were selected as benchmarks, i.e. product B, product C, product D, while product A is the base product to be developed. The benchmarking result showed the product performance in meeting certain customer need; the performance was measured by customers as respondents in a survey using the 1 to 5 rating scales. The average performance of each product in meeting certain customer need is presented in the right columns of HOQ matrix.

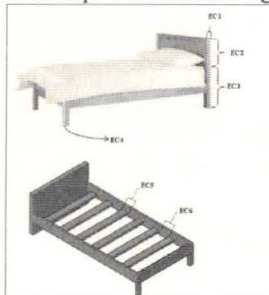


Figure 1. Engineering characteristics

Customer Needs	Relative Importance Weight	Engineering Characteristics						Benchmark			
		EC ₁	EC ₂	EC ₃	EC ₄	EC ₅	EC ₆	Product A	Product B	Product C	Product D
CN ₁	0.214	9	9	3				2.05	3.98	2.98	3.07
CN ₂	0.291	9						4.03	3.00	3.03	2.92
CN ₃	0.290				9	9	3	3.00	3.95	3.01	4.01
CN ₄	0.204	9	9	9				2.08	3.04	3.72	3.86

Figure 2. House of Quality

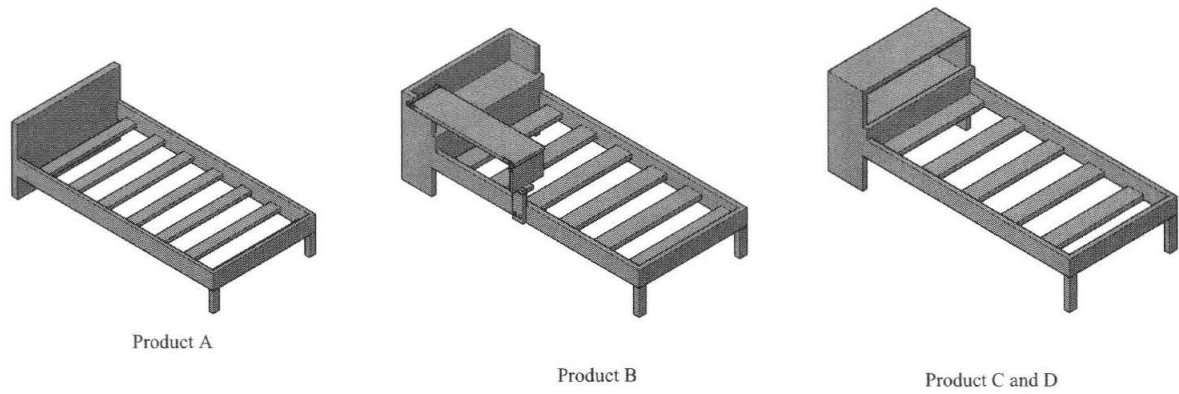


Figure 3. Concept designs

TABLE 1. Product specifications

Engineering Characteristics	Product A	Product B	Product C	Product D
EC ₁ (cm)	6	30	25	35
EC ₂ (cm)	20	27	22	30
EC ₃ (cm)	46	53	53	55
EC ₄ (cm ²)	24	35	24	35
EC ₅ (cm)	10	15	15	15
EC ₆ (cm)	20	20	25	25

Figure 3 shows the 3D of the concept designs of product A, B, C and D, while Table 1 contains the specifications details. The feasible range of engineering characteristics were defined as follows: 6 to 37.4 cm for EC_1 , 20 to 36.6 cm for EC_2 , 46 to 55 cm for EC_3 , 24 to 35 cm² for EC_4 , 10 to 15 cm for EC_5 , and 20 to 25 cm for EC_6 . Those ranges might show the technically accepted and/or technically feasible specifications.

The relationship between customer need and engineering characteristics was assessed using regression technique. The engineering characteristics were the independent variables and the product performances were the dependent ones. The regression results are as follows:

$$CN_1 = 1.93 + 9.36 EC_1 - 3.33 EC_2 - 6.16 EC_3$$

$$CN_2 = 3.34 - 0.627 EC_1$$

$$CN_3 = 3.50 + 0.479 EC_4 - 0.0034 EC_5 + 0.0274 EC_6$$

$$CN_4 = 3.05 - 3.89 EC_1 + 0.943 EC_2 + 3.92 EC_3$$

Using $\alpha = 5\%$, the significant predictors were those which P value < 0.05 .

The minimum product performance in meeting certain customer need was defined to assure that the product would be able to perform its basic functions and also to ensure that the performance was not below market expectation. Considering technical and market requirements, it was determined that the minimum product performance in meeting CN_1 was 3.04, and in meeting CN_2 was 3.03; while the minimum performance

value in meeting CN_3 and CN_4 , in consecutive manner, were 3.01 and 3.04.

In this case example, the resource constraint was the available budget for product improvement, i.e. IDR 200,000. The incremental improvement costs for engineering characteristics were IDR 4250 per cm for EC_1 , IDR 2716 per cm for EC_2 , IDR 2980 per cm for EC_3 , IDR 377 per cm² for EC_4 , IDR 1130 per cm for EC_5 , and IDR 283 per cm for EC_6 . The other resources, such as development time, were considered unbounded.

The initial satisfaction score, denoted by s_j^0 per 100 units, that was contributed by certain product performance level in meeting customer need j , denoted by p_j^0 and quantified in 1 to 5 rating scales, was obtained using focus group discussions. For customer need indexes (j) 1 to 4, the corresponding s_j^0 for certain p_j^0 , in consecutive manner, were as follows: $s_1^0 = 25$ for $p_1^0 = 2.50$, $s_2^0 = 65$ for $p_2^0 = 4.03$, $s_3^0 = 40$ for $p_3^0 = 3.00$, and $s_4^0 = 25$ for $p_4^0 = 2.08$.

In this case example, the maximum satisfaction score that was able to be reached by the basic need was 60 per 100 units and 100 per 100 units for the other customer need categories.

According to the input data, the complete mathematical model was described as follows.

$$\text{Max } S_p = (s_1^1 + s_2^1 + s_3^1 + s_4^1) / S_{p_{\max}} \quad (13)$$

Subject to

$$S_{p_{\max}} = 100 + 100 + 100 + 60 \quad (14)$$

$$x_1^{ncc} = \frac{\{x_1^n - ((37.4 + 6)/2)\}}{(37.4 - 6)/2}; \quad x_2^{ncc} = \frac{\{x_2^n - (36.6 + 20/2)\}}{(36.6 - 20)/2};$$

$$x_3^{ncc} = \frac{\{x_3^n - (55 + 46/2)\}}{(55 - 46)/2}; \quad x_4^{ncc} = \frac{\{x_4^n - (35 + 24/2)\}}{(35 - 24)/2};$$

$$x_5^{ncc} = \frac{\{x_5^n - (15 + 10/2)\}}{(15 - 10)/2}; \quad x_6^{ncc} = \frac{\{x_6^n - (25 + 20/2)\}}{(25 - 20)/2} \quad (15)$$

$$p_1^n = 1.93 + 9.36x_1^{ncc} - 3.33x_2^{ncc} - 6.16x_3^{ncc};$$

$$p_2^n = 3.34 - 0.627x_1^{ncc};$$

$$p_3^n = 3.5 + 0.479x_4^{ncc} - 0.0034x_5^{ncc} + 0.0274x_6^{ncc};$$

$$p_4^n = 3.05 - 3.89x_1^{ncc} + 0.943x_2^{ncc} + 3.92x_3^{ncc} \quad (16)$$

$$s_1^1 = 25 \left(\frac{p_1^1}{2.05} \right)^2; \quad s_2^1 = 65 \left(\frac{p_2^1}{4.03} \right)^1;$$

$$s_3^1 = 40 \left(\frac{p_3^1}{3.00} \right)^{0.5}; \quad s_4^1 = 25 \left(\frac{p_4^1}{2.08} \right)^2 \quad (17)$$

$$3.04 \leq p_1^1 \leq 5; \quad 3.03 \leq p_2^1 \leq 5; \\ 3.01 \leq p_3^1 \leq 5; \quad 3.04 \leq p_4^1 \leq 5 \quad (18)$$

$$6 \leq x_1^n \leq 37.4; \quad 20 \leq x_2^n \leq 36.6; \quad 46 \leq x_3^n \leq 55; \\ 24 \leq x_4^n \leq 35; \quad 10 \leq x_5^n \leq 15; \quad 20 \leq x_6^n \leq 25 \quad (19)$$

$$4520(x_1^n - 6) + 2716(x_2^n - 20) + 2980(x_3^n - 46) + 2 \times \\ 377(x_4^n - 24) + 7 \times 1130(x_5^n - 10) + 283(x_6^n - 20) \leq \\ 200000 \quad (20)$$

The result of this model are the score of engineering characteristics. The result showed that model was able to perform under constrain restriction. The engineering characteristic for EC6 is the smaller the better, meanwhile the others are the larger the better. We have run the sensitivity analysis and the result is satisfied for all engineering characteristics. For the larger the better engineering characteristic, the output will increase, and will decrease for the smaller the better criteria.

IV. CONCLUSION

Setting target specifications by using the proposed mathematical model, the available development resource was spent effectively to increase total customer satisfaction. By integrating the Kano's model into the optimization model, the relationship between certain customer need fulfillment and perceived customer satisfaction was better represented.

Acknowledgment

This research was supported by the Directorate General of Research, Technology and Higher Education Of The Republic Indonesia

References

- [1] Cohen, L., *How to Make QFD Work for You*, Addison-Wesley Publishing Company, 1995.
- [2] Park, T., Kim, K. J., "Determination of an Optimal Set of Design Requirements Using House of Quality," *Journal of Operations Management*, vol. 16, pp. 569-581, 1998.
- [3] Askin, R. G., Dawson, D. W., "Maximizing Customer Satisfaction by Optimal Specification of Engineering Characteristics," *IIE Transactions*, vol. 32, pp. 9-20, 2000.
- [4] Vanegas, L. V., Labib, A. W., "A Fuzzy Quality Function Deployment (FQFD) Model for Deriving Optimum Targets," *International Journal of Production Research*, vol. 39(1), pp. 99-120, 2001.
- [5] Sauerwein, E., et. al., "The Kano Model: How to Delight Your Customers," in *Preprints of the IX International Working Seminar on Production Economics*, paper vol. 1, pp. 313-327, 1996.
- [6] Matzler, K., Hinterhuber, H. H., "How to Make Product Development Projects More Successful by Integrating Kano's Model of Customer Satisfaction into Quality Function Deployment," *Technovation*, vol. 18(1), pp. 25-38, 1998.
- [7] Rahaju, D. E. S., Dewi, D. R. S., "Dealing with Dissatisfaction Measure in QFD Model to Derive Target of Engineering Characteristics," *International Journal of Industrial Engineering*, vol. 18(12), pp. 634-644, 2011.
- [8] Tan, K. C., Shen, X. X., "Integrating Kano's Model in the Planning Matrix of Quality Function Deployment," *Total Quality Management*, vol. 11(8), pp. 1141-1151, 2000.
- [9] Rahaju, D. E. S., Dewi, D. R. S., "An Approach to Dealing with Importance Weights of Customer Needs and Customer Dissatisfaction in Quality Function Deployment Optimization," *Advanced Material Research*, vol. 931-932, pp. 1636-1641, 2014.
- [10] Malhotra, N. K., *Marketing Research: an Applied Orientation*, 4th ed., New Jersey: Pearson Education, Inc., 2004.